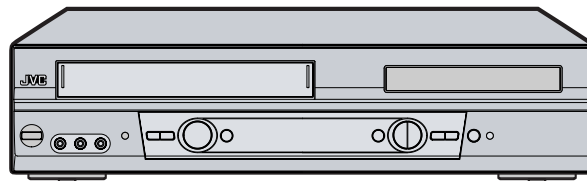


JVC

SERVICE MANUAL

DVD/CD PLAYER Hi-Fi STEREO VIDEO CASSTTE RECORDER

HR-XVC20Us(R)



Regarding service information other than these sections, refer to the service manual No. 82948 (HR-XVC20US). Also, be sure to note important safety precautions provided in the service manual.

SPECIFICATIONS

GENERAL

| | |
|---------------------------|---|
| Power supply: | AC 120V 60Hz |
| Power consumption: | Operation: 18W Stand by: 2W |
| Weight: | 7.9lbs (3.6 kg) |
| Dimensions: | Width : 16-15/16 inches (430 mm) Height: 3-7/8 inches (99 mm) Depth : 9-13/16 inches (249 mm) |
| Inputs/Outputs: | |
| Video: | In: 1Vp-p/75 ohm Out: 1Vp-p/75 ohm |
| Audio: | In: -8 dBm/50k ohm Out: -8 dBm/1k ohm |
| Antenna: | UHF/VHF IN/OUT: 75 ohm coaxial |
| Hi-Fi Frequency Response: | 20Hz to 20,000Hz |
| Hi-Fi Dynamic Range: | More than 90dB |

VCR section

| | |
|--------------------|--|
| Video Head: | 4 Rotary Heads |
| Audio Track: | Hi-Fi Sound - 2 Tracks / MONO Sound - 1 Track |
| Tuner: | 181 Channel Freq. Synthesized |
| | VHF 2-13 |
| | UHF 14-69 |
| | CATV 14-36 (A)-(W) 37-59 (AA)-(WW) 60-85 (AAA)-(ZZZ) 86-94 (86)-(94) 95-99 (A-5)-(A-1) 100-125 (100)-(125) 01 (5A) |
| RF Channel Output: | Channel 3 or 4, Switchable |
| F.FWD/REW Time: | Approx. 1 minute 48 seconds (with T-120 Cassette Tape) (at+25°C) |

DVD section

| | |
|-----------------------|---|
| Signal system: | NTSC |
| Applicable disc: | DVD (12cm, 8cm), CD (12cm, 8cm) |
| Audio characteristics | |
| Frequency response: | DVD: 4Hz - 22kHz CD: 4Hz - 20kHz |
| S/N Ratio: | 90dB |
| Harmonic distortion | 0.02% |
| Wow and flutter: | Less than 0.01% Wrms |
| Dynamic range: | More than 90dB |
| Output: | Video : (RCA) 1 Vp-p/75ohm Audio : (RCA) -8 dBm/1k ohm Digital Audio : 0.5Vp-p 75 ohm |
| Pickup: | CD : Wavelength: 775 - 805 nm Maximum output power: 0.5 mW DVD : Wavelength: 640 - 660 nm Maximum output power: 1.0 mW |

ACCESSORIES:

Remote control x 1
Batteries (2 x AA)
75 ohm Coaxial Cable x 1
AUDIO/VIDEO Cable x 1






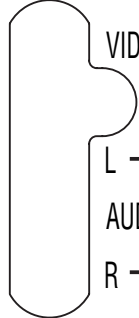


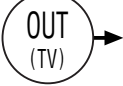
TABLE OF CONTENTS

| Section | Title | Page | Section | Title | Page |
|---------------------------------|--|------|-------------------|------------------------------------|------|
| HOW TO IDENTIFY MODELS | | | PARTS LIST | | |
| DISASSEMBLY INSTRUCTIONS | | | 3.1 | EXPLODED VIEW | 3-1 |
| 1. | REMOVAL OF MECHANICAL PARTS AND P.C.BOARDS | 1-1 | 3.1.1 | PACKING AND ACCESSORY ASSEMBLY<M1> | 3-1 |
| 1-1 | TOP CABINET AND FRONT CABINET | 1-1 | 3.1.2 | FINAL ASSEMBLY<M2> | 3-2 |
| 1-2 | FLAP | 1-1 | 3.1.3 | MECHANISM ASSEMBLY(DVD)<MN> | 3-3 |
| 1-3 | DVD DECK | 1-1 | 3.1.4 | MECHANISM ASSEMBLY(VCR)<M4> | 3-4 |
| 1-4 | DVD PCB | 1-2 | 3.2 | ELECTRICAL PARTS LIST | 3-6 |
| 1-5 | VCR DECK | 1-2 | | PACKING AND ACCESSORY ASSEMBLY<M1> | 3-6 |
| 1-6 | VCR PCB | 1-2 | | FINAL ASSEMBLY<M2> | 3-6 |
| 4. | REMOVAL OF DVD DECK PARTS | 1-3 | | MECHANISM ASSEMBLY(VCR)<M4> | 3-6 |
| 4-1 | TRAY | 1-3 | | MECHANISM ASSEMBLY(DVD)<MN> | 3-7 |
| 4-2 | MAIN CHASSIS ASS'Y | 1-3 | | VCR BOARD ASSEMBLY<03> | 3-7 |
| 4-3 | RACK LOADING / MAIN GEAR / RACK LOADING SPRING / RACK L SPRING | 1-3 | | OPERATION BOARD ASSEMBLY<28> | 3-12 |
| 4-4 | CLAMPER ASS'Y / INSULATOR(R) / LEVER SWITCH | 1-3 | | DVD BOARD ASSEMBLY<50> | 3-12 |
| 4-5 | TRAVERSE HOLDER / INSULATOR(F) | 1-4 | | | |
| 4-6 | SWITCH PCB ASS'Y | 1-4 | | | |
| 4-7 | RACK FEED ASS'Y | 1-4 | | | |
| 4-8 | RELAY PCB ASS'Y | 1-5 | | | |
| 4-9 | GEAR | 1-5 | | | |
| 4-10 | IDLER ARM | 1-5 | | | |
| 4-11 | FEED MOTOR | 1-6 | | | |
| | ELECTRICAL ADJUSTMENT PARTS LOCATION GUIDE | 1-7 | | | |
| | WHEN REPLACING EEPROM(MEMORY) IC | 1-8 | | | |
| | SERVO TIMING CHART | 1-8 | | | |
| CHARTS AND DIAGRAMS | | | | | |
| | INTERCONNECTION DIAGRAM | 2-1 | | | |
| | Y/C/AUDIO/CCD/HEAD AMP SCHEMATIC DIAGRAM | 2-3 | | | |
| | SYSCON SCHEMATIC DIAGRAM | 2-5 | | | |
| | TUNER/JACK SCHEMATIC DIAGRAM | 2-7 | | | |
| | OPERATION/DISPLAY SCHEMATIC DIAGRAM | 2-9 | | | |
| | HI-FI/DEMULATOR SCHEMATIC DIAGRAM | 2-11 | | | |
| | POWER SCHEMATIC DIAGRAM | 2-13 | | | |
| | OPERATION/LED SCHEMATIC DIAGRAM | 2-15 | | | |
| | SW/RELAY/FG SCHEMATIC DIAGRAM | 2-17 | | | |
| | MPEG/MICOM SCHEMATIC DIAGRAM | 2-19 | | | |
| | MEMORY SCHEMATIC DIAGRAM | 2-21 | | | |
| | RF AMP/DSP SCHEMATIC DIAGRAM | 2-23 | | | |
| | AUDIO/VIDEO SCHEMATIC DIARAM | 2-25 | | | |
| | PRINTED CIRCUIT BOARD VCR | 2-27 | | | |
| | PRINTED CIRCUIT BOARD DVD | 2-31 | | | |
| | PRINTED CIRCUIT BOARD OPERATION | 2-34 | | | |

HOW TO IDENTIFY MODELS

How to recognize from the appearance of the model concerned is written below.
Please distinguish from several contents currently printed on the rating label of the rear panel.

[blank] : HR-XVC20US
(R) : HR-XVC20US(R)

| | | | |
|---|---|--|--|
|  DVD/VIDEO CASSETTE RECORDER MODEL/MODELE NO. HR-XVC20US(R) AC/CA 120V 60Hz 18W <small>"DTS" and "DTS Digital Out" are trademarks of Digital Theater Systems, Inc. Apparatus Claims of U.S. Patent Nos. 4,631,603;4,577,216;4,819,098 and 4,907,093 licensed for limited viewing uses only. Manufactured under license from Dolby Laboratories. "Dolby" and the double-D symbol are trademarks of Dolby Laboratories. Confidential unpublished works. ©1992-1997 Dolby Laboratories. All rights reserved. CABLE COMPATIBLE TELEVISION APPARATUS-TELEVISION CABLECOMPATIBLE, CANADA CERTIFICATION: COMPLIES WITH FDA RADIATION PERFORMANCE STANDARDS, 21 CFR SUBCHAPTER J. THIS DEVICE COMPLIES WITH PART 15 OF THE FCC RULES. OPERATION IS SUBJECT TO THE FOLLOWING TWO CONDITIONS: (1) THIS DEVICE MAY NOT CAUSE HARMFUL INTERFERENCE, AND (2) THIS DEVICE MUST ACCEPT ANY INTERFERENCE RECEIVED, INCLUDING INTERFERENCE THAT MAY CAUSE UNDESIRABLE OPERATION. DISTRIBUTOR / DISTRIBUTEUR DISTRIBUTED BY JVC AMERICAS CORP., 1700 VALLEY ROAD, WAYNE, N.J. 07470 DISTRIBUTED BY JVC CANADA, INC. 21 FINCHdene SQUARE, SCARBOROUGH, ONTARIO.MIX 1A7. DISTRIBUIT PAR JVC CANADA, INC. 21 FINCHdene SQUARE, SCARBOROUGH, ONTARIO.MIX 1A7. AVIS: RISQUE DE CHOC ELECTRIQUE-NE PAS OUVRIR [FCC ID: A7RM2C5A] CHASSIS:M2C58 KD</small> MANUFACTURED/FABRIQUÉ : SERIAL NO./NO.DE SERIE MADE IN THAILAND/FABRIQUE EN THAILANDE | CAUTION RISK OF ELECTRIC SHOCK DO NOT OPEN   LISTED 44L6  VIDEO SYSTEM E68219 CAT. M2C58  | DVD/VCR OUTPUT  VIDEO  L AUDIO R | VHF/UHF  IN (ANT)  OUT (TV) |
| | | | |

RATING LABEL

DISASSEMBLY INSTRUCTIONS

1. REMOVAL OF MECHANICAL PARTS AND P.C. BOARDS

1-1: TOP CABINET AND FRONT CABINET (Refer to Fig. 1-1)

1. Remove the 5 screws ①.
2. Remove the Top Cabinet in the direction of arrow (A).
3. Disconnect the following connector: (CP651).
4. Unlock the 8 supports ②.
5. Remove the Front Cabinet in the direction of arrow (B).
6. Remove the 2 screws ③.
7. Remove the Operation PCB in the direction of arrow (C).

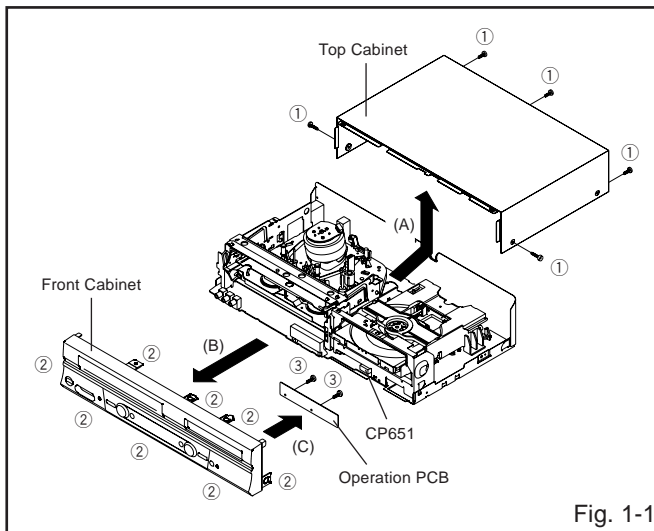


Fig. 1-1

1-2: FLAP (Refer to Fig. 1-2)

1. Open Flap to 90° and flex in direction of arrow (A), at the same time slide in direction of arrow (B).
2. Then lift in direction of arrow (C).

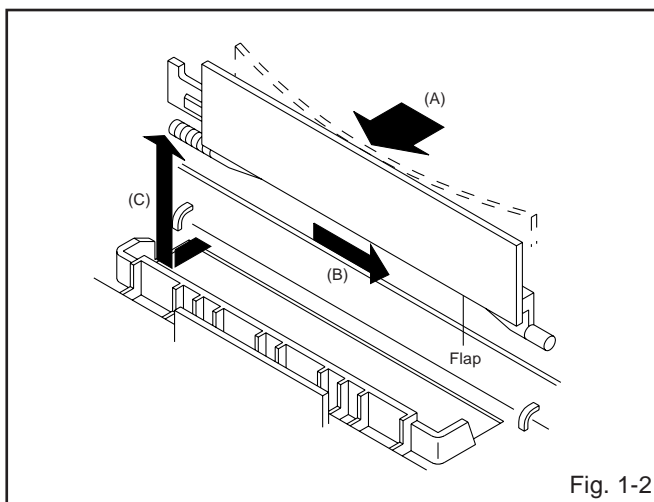


Fig. 1-2

1-3: DVD DECK (Refer to Fig. 1-3)

1. Make the short circuit on the position as shown Fig. 1-3 using a soldering. If you remove the DVD Deck with no soldering, the Laser may be damaged.
2. Unlock the support ① and remove the Deck Top Holder in the direction of arrow (A).
3. Remove the 2 screws ②.
4. Remove the screw ③.
5. Remove the screw ④.
6. Disconnect the following connectors: (CP2601, CP2602, CP2603).
7. Remove the DVD Deck in the direction of arrow (B).
8. Remove the 3 screws ⑤.
9. Remove the Front Angle in the direction of arrow (C).
10. Remove the screw ⑥.
11. Remove the DVD Angle.

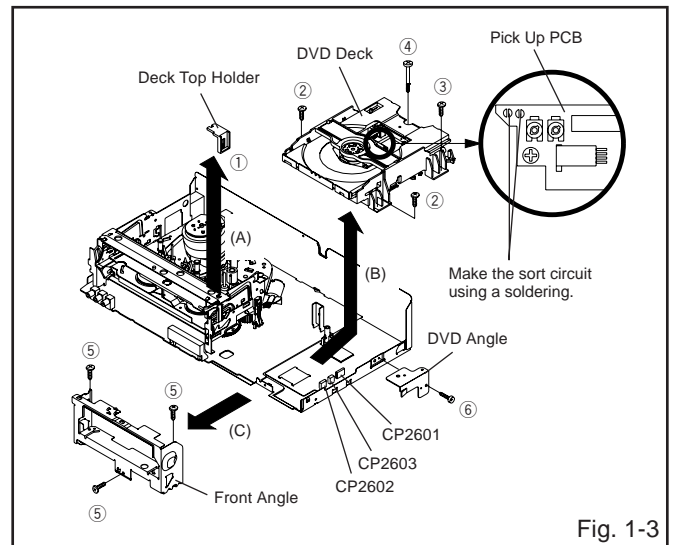


Fig. 1-3

NOTE

When the installation of the DVD Deck, remove all the soldering on the short circuit after the connection of Pick Up PCB and DVD PCB connector.

DISASSEMBLY INSTRUCTIONS

1-4: DVD PCB (Refer to Fig. 1-4)

1. Remove the 3 screws ①.
2. Remove the 4 screws ②.
3. Disconnect the following connectors: (CP4002 and CP8102).
4. Remove the DVD PCB in the direction of arrow.

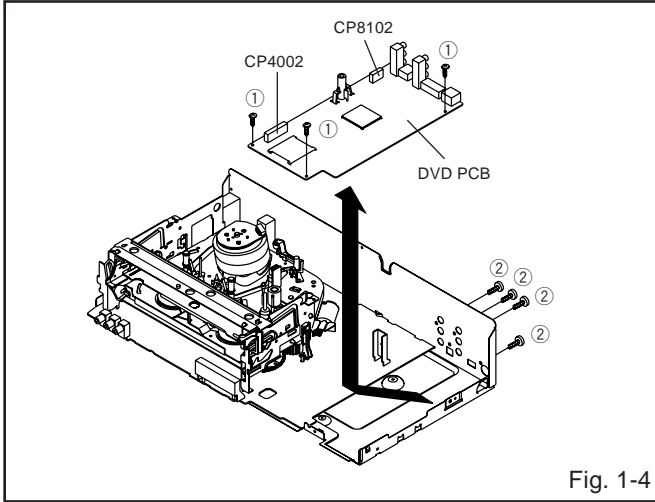


Fig. 1-4

1-6: VCR PCB (Refer to Fig. 1-6)

1. Remove the screw ①.
2. Remove the screw ②.
3. Remove the screw ③.
4. Remove the 3 Pin Shield.
5. Remove the VCR PCB in the direction of arrow.

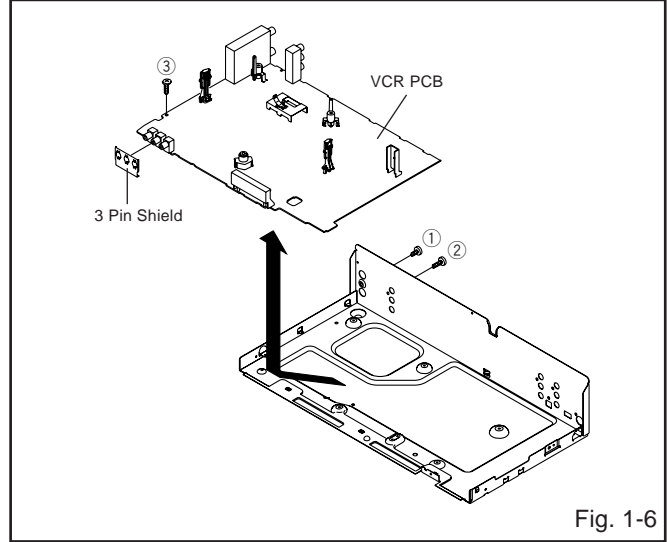


Fig. 1-6

1-5: VCR DECK (Refer to Fig. 1-5)

NOTE

Do not remove the cable at the FE Head section. The FE Head may be damaged if you remove the cable by force.

1. Move the Cassette Holder Ass'y to the back side.
2. Remove the screw ①.
3. Remove the FE Head.
4. Remove the 3 screws ②.
5. Disconnect the following connectors: (CP101, CP102, and CP3001).
6. Remove the AC Head Cover and VCR Deck in the direction of arrow.

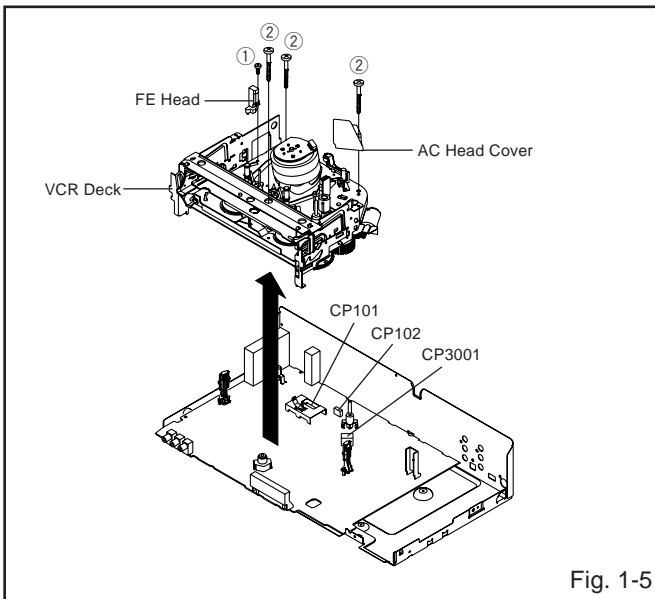


Fig. 1-5

DISASSEMBLY INSTRUCTIONS

4. REMOVAL OF DVD DECK PARTS

NOTE

1. Do not disassemble the DVD DECK PARTS except listed parts here. Minute adjustments are needed if the disassemble is done. If the repair is needed except listed parts, replace the DVD MECHA ASS'Y.

4-1: TRAY (Refer to Fig. 4-1-A)

1. Set the Tray opened. (Refer to the DISC REMOVAL METHOD AT NO POWER SUPPLY)
2. Unlock the support ① and remove the Tray.

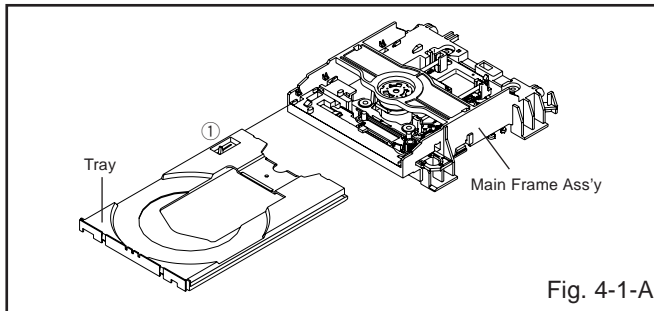


Fig. 4-1-A

NOTE

1. In case of the Tray installation, install them as the circled section of Fig. 4-1-B so that the each markers are met.

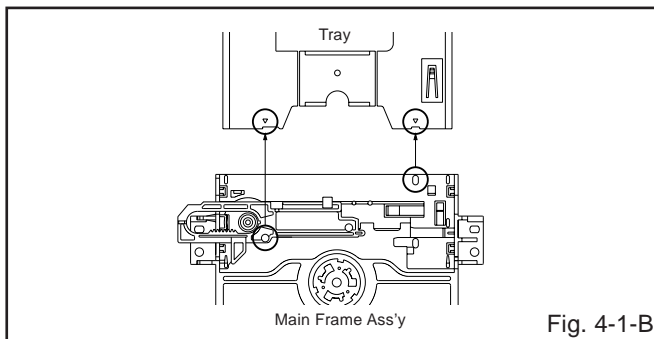


Fig. 4-1-B

4-2: MAIN CHASSIS ASS'Y (Refer to Fig. 4-2-A)

1. Remove the Main Chassis Ass'y from the Insulator (R).
2. Unlock the support ①.
3. Remove the Main Chassis Ass'y.

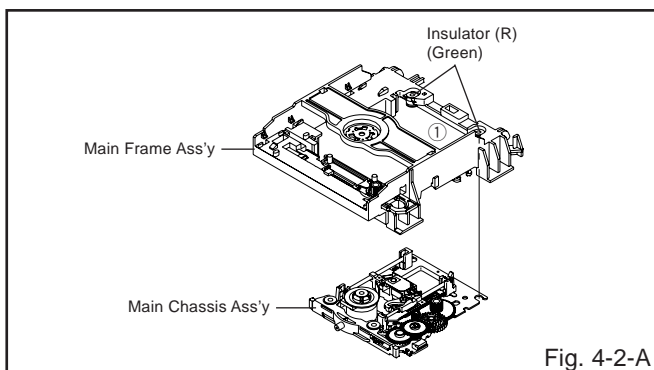


Fig. 4-2-A

NOTE

1. In case of the Main Chassis Ass'y, install it from (1) to (6) in order. (Refer to Fig. 4-2-B)

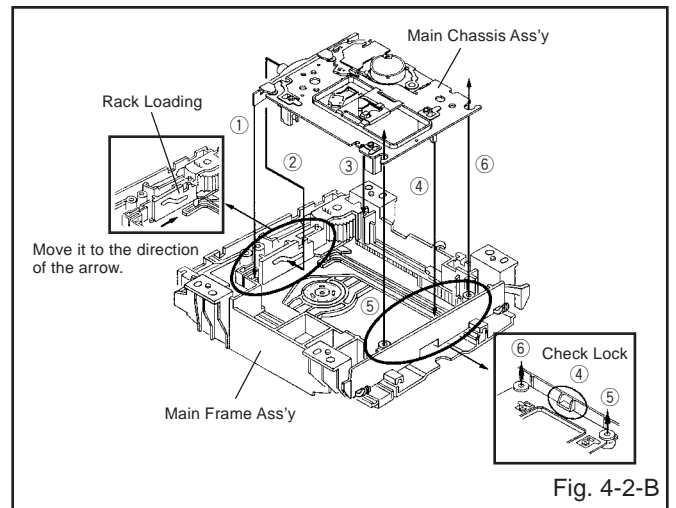


Fig. 4-2-B

4-3: RACK LOADING/MAIN GEAR/ RACK LOADING SPRING/ RACK L SPRING (Refer to Fig. 4-3)

1. Remove the Rack L Spring.
2. Press down the catcher ① and slide the Rack Loading.
3. Remove the Rack Loading, Rack Loading Spring and Main Gear.

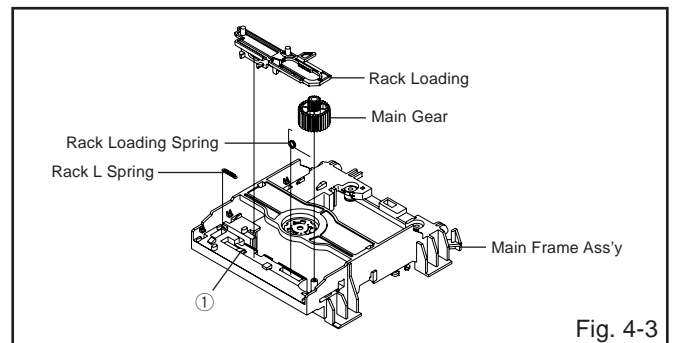


Fig. 4-3

4-4: CLAMPER ASS'Y/INSULATOR(R)/LEVER SWITCH (Refer to Fig. 4-4-A)

1. Remove the screw ①.
2. Remove the Lever Switch.
3. Remove the 2 Insulator (R).
4. Press the Clamper and rotate the Clamper Plate clockwise, then unlock the 3 supports ②.
5. Remove the Clamper Plate, Clamper Magnet and Clamper.

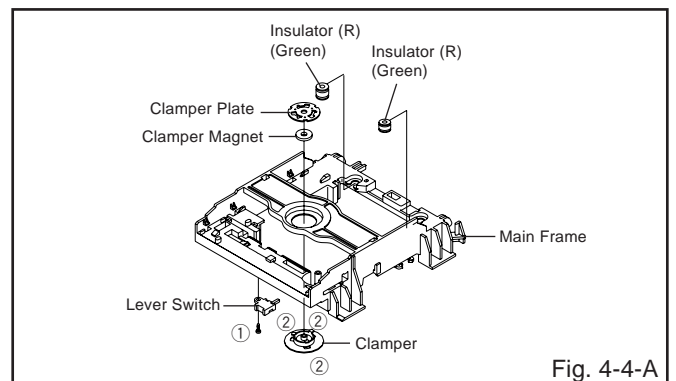
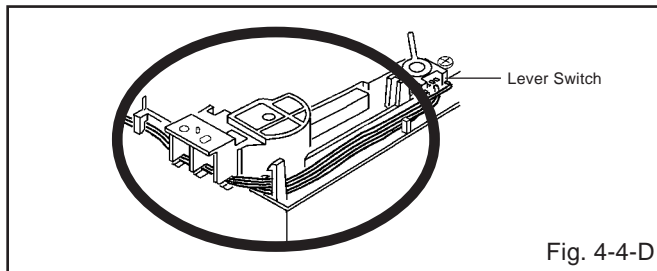
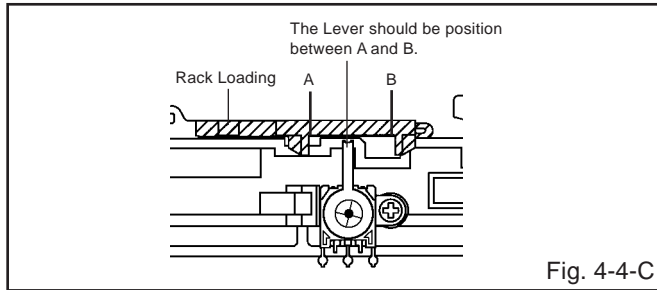
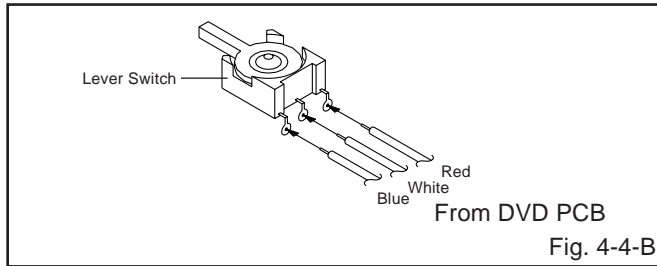


Fig. 4-4-A

DISASSEMBLY INSTRUCTIONS

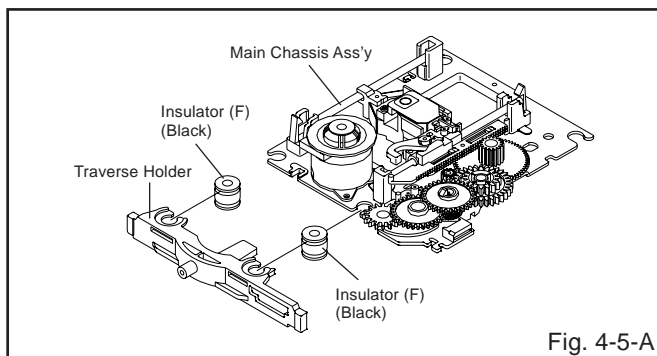
NOTE

1. When installing the Clamper Magnet, install it with the green face up.
2. When installing the wire of the Lever Switch, install it correctly as Fig. 4-4-B.
3. When installing the Lever Switch, install it correctly as Fig. 4-4-C.
4. In case of the Lever Switch installation, hook the wire on the Main Frame as shown Fig. 4-4-D.



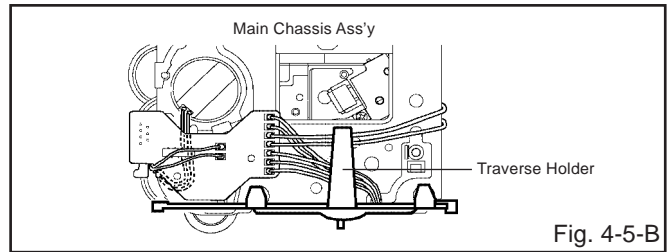
4-5: TRAVERSE HOLDER/INSULATOR (F) (Refer to Fig. 4-5-A)

1. Remove the Traverse Holder.
2. Remove the 2 Insulator (F).



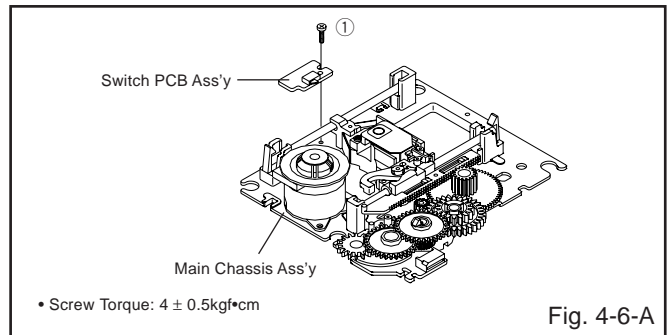
NOTE

1. After the installing of the Traverse Holder, check if the wire is like Fig. 4-5-B.



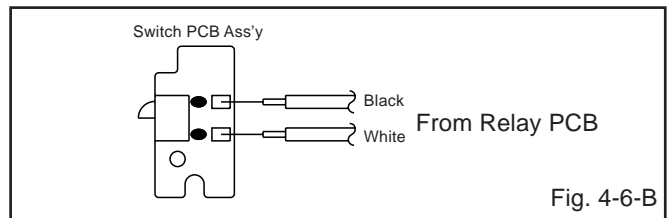
4-6: SWITCH PCB ASS'Y (Refer to Fig. 4-6-A)

1. Remove the screw ①.
2. Remove the Switch PCB Ass'y.



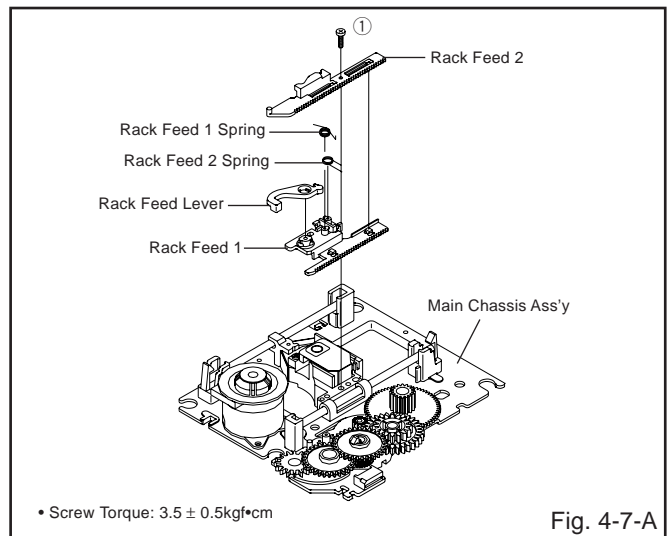
NOTE

1. When installing the wire of the Switch PCB, install it correctly as Fig. 4-6-B.



4-7: RACK FEED ASS'Y (Refer to Fig. 4-7-A)

1. Remove the screw ①.
2. Remove the Rack Feed 1/2 Spring, Rack Feed 1/2 and Rack Feed Lever.



DISASSEMBLY INSTRUCTIONS

NOTE

1. After the assembly of the Rack Feed, check if the Rack Feed 1/2 is moving smoothly. (Refer to Fig. 4-7-B)
2. In case of the Rack Feed Ass'y installation, install correctly as Fig. 4-7-C.

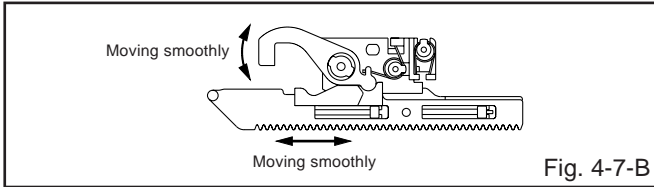


Fig. 4-7-B

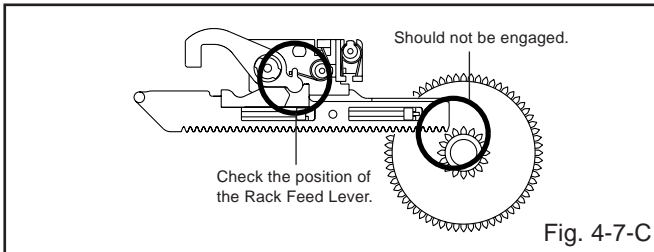


Fig. 4-7-C

4-8: RELAY PCB ASS'Y (Refer to Fig. 4-8-A)

1. Remove the screw ①.
2. Remove the Relay PCB Ass'y.

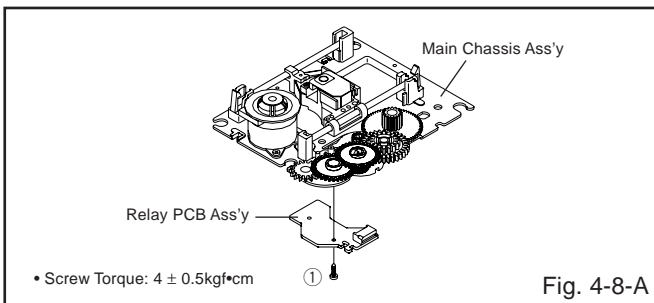


Fig. 4-8-A

NOTE

1. When installing the wire of the Relay PCB, install it correctly as Fig. 4-8-B.

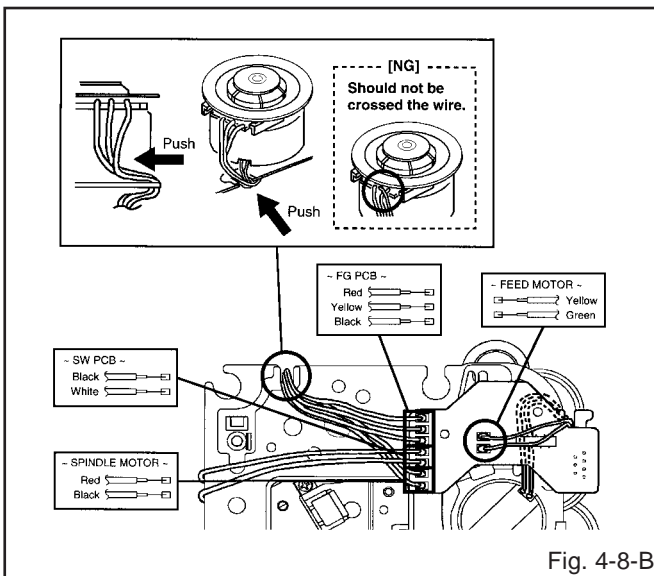


Fig. 4-8-B

4-9: GEAR (Refer to Fig. 4-9-A)

1. Unlock the support ①.
2. Remove the Middle Gear 1/2/3, Idler Gear and Feed Gear.

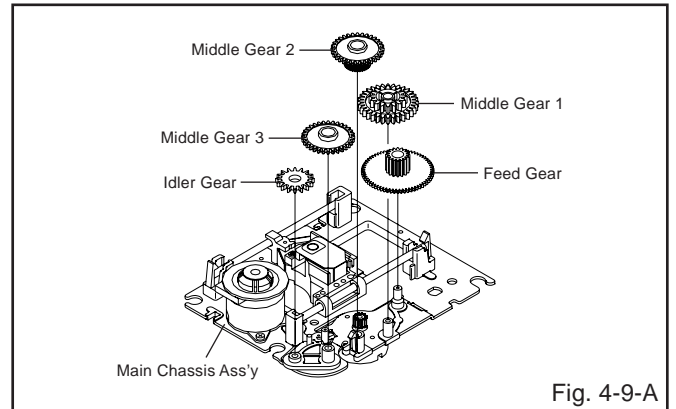


Fig. 4-9-A

NOTE

1. In case of the Idler Gear installation, install correctly as Fig. 4-9-B.
2. When installing the Middle Gear 2, check if the Middle Gear 2 is locked correctly as Fig. 4-9-C.

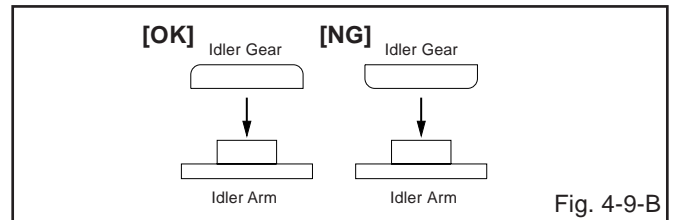


Fig. 4-9-B

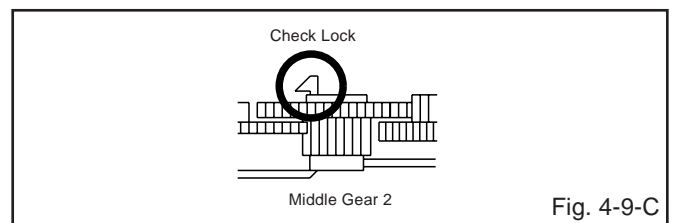


Fig. 4-9-C

4-10: IDLER ARM (Refer to Fig. 4-10-A)

1. Remove the Idler Arm Spring.
2. Remove the Chassis Spring.
3. Remove the Idler Arm.

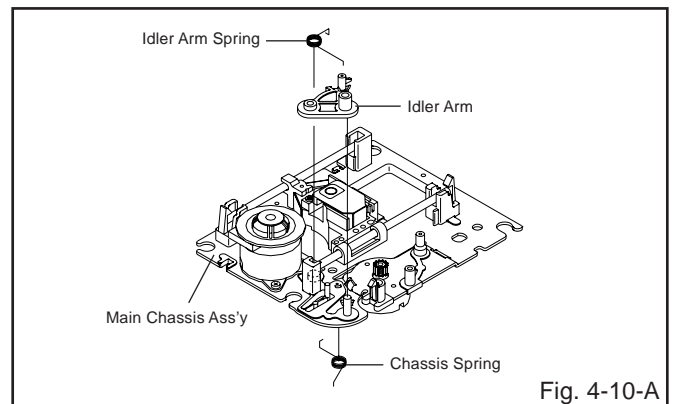
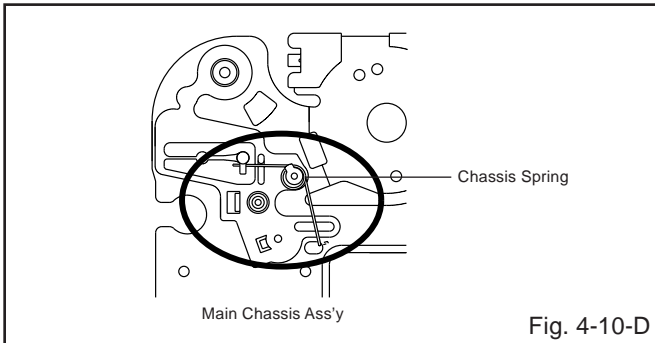
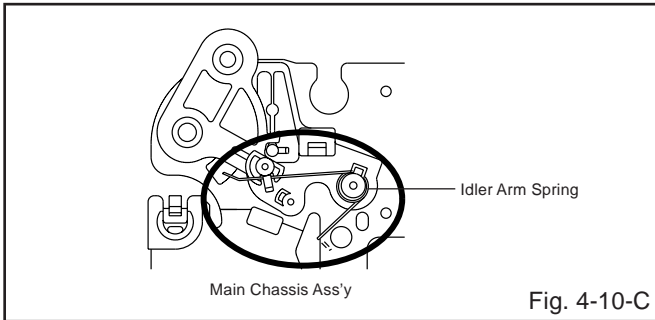
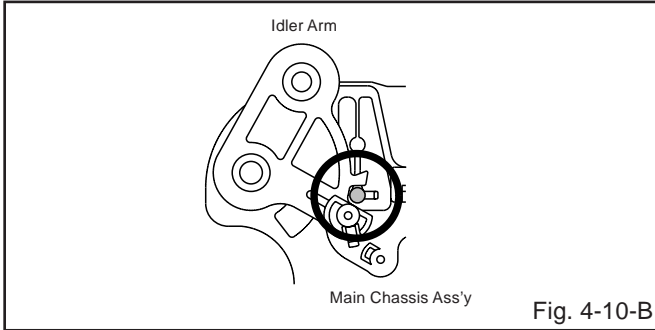


Fig. 4-10-A

DISASSEMBLY INSTRUCTIONS

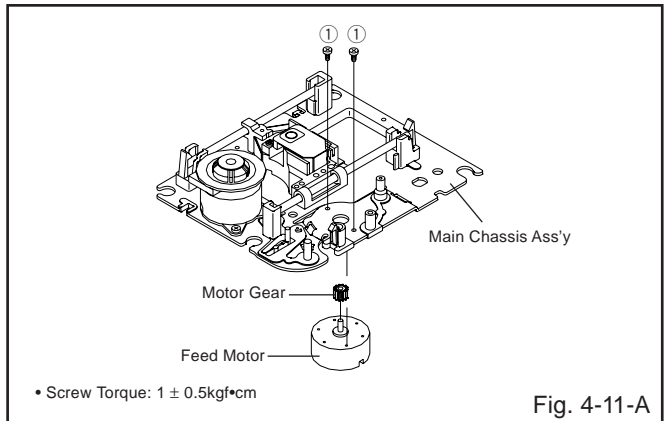
NOTE

1. In case of the Idler Arm installation, install as the circled section of Fig. 4-10-B.
2. In case of the Idler Arm Spring installation, install as the circled section of Fig. 4-10-C.
3. In case of the Chassis Spring installation, install as the circled section of Fig. 4-10-D.



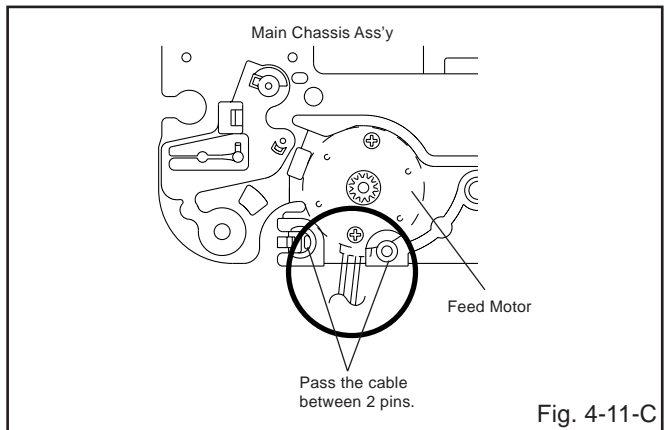
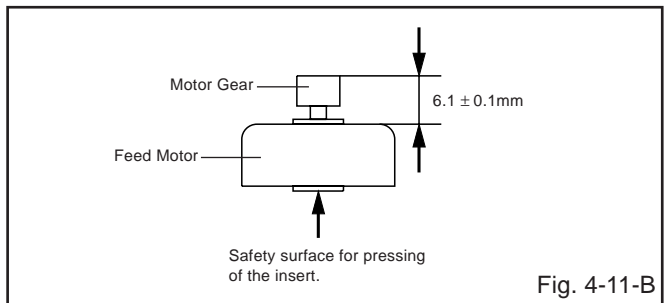
4-11: FEED MOTOR (Refer to Fig. 4-11-A)

1. Remove the 2 screws ①.
2. Remove the Feed Motor.
3. Remove the Motor Gear.



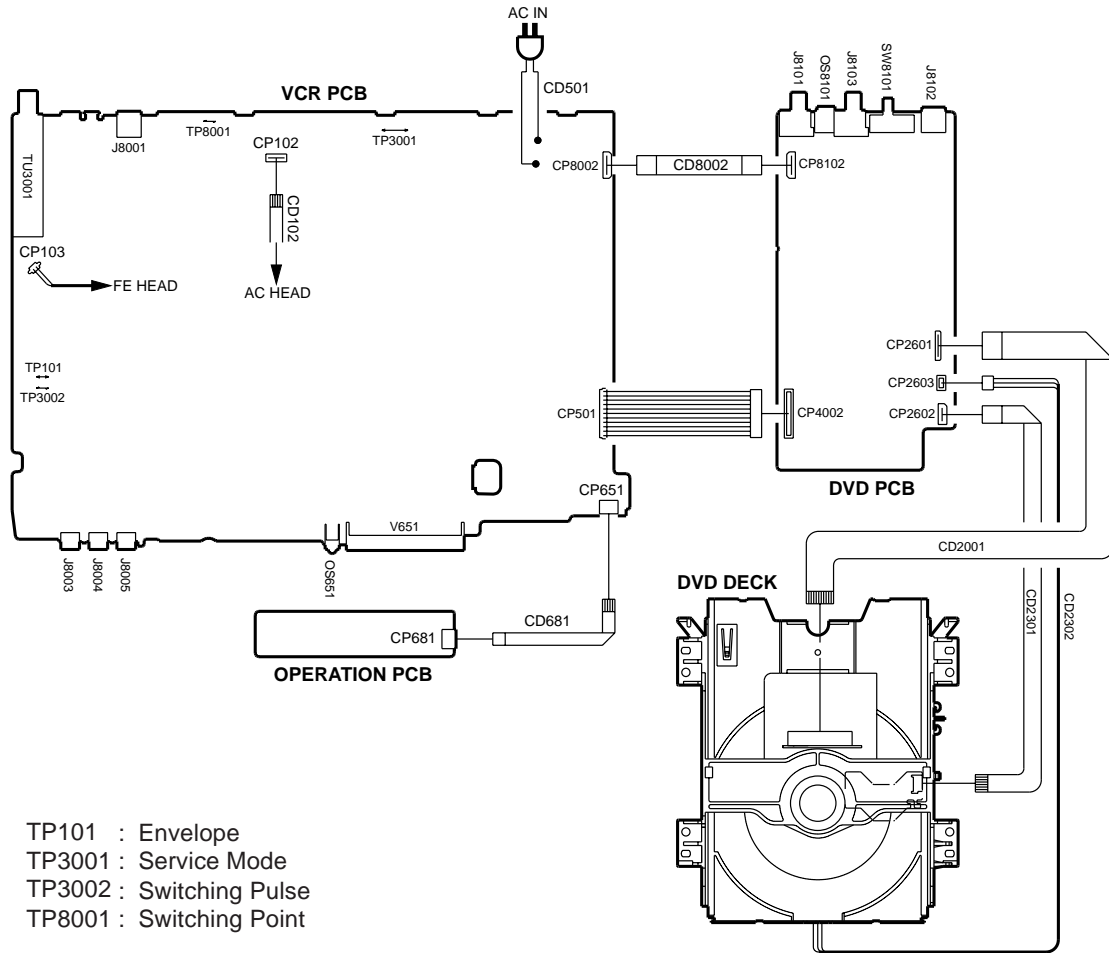
NOTE

1. In case of the Motor Gear installation, check if the value of the Fig. 4-11-B is correct.
2. When installing the Feed Motor, check if the cable is positioned as Fig. 4-11-C.



ELECTRICAL ADJUSTMENTS

ELECTRICAL ADJUSTMENT PARTS LOCATION GUIDE (Connector Connections)



- TP101 : Envelope
- TP3001 : Service Mode
- TP3002 : Switching Pulse
- TP8001 : Switching Point

WHEN REPLACING EEPROM (MEMORY) IC

If a service repair is undertaken where it has been required to change the MEMORY IC, the following steps should be taken to ensure correct data settings while making reference to TABLE 1.

NOTE: No need setting for after INI 2F.

| INI | +0 | +1 | +2 | +3 | +4 | +5 | +6 | +7 | +8 | +9 | +A | +B | +C | +D | +E | +F |
|-----|----|----|----|----|----|----|----|----|----|----|----|----|----|----|----|----|
| 00 | 0E | B0 | BA | 60 | 64 | 64 | 4A | 86 | 0B | 2B | 86 | 32 | 8A | 08 | 0A | 0F |
| 10 | AF | 97 | 95 | 8A | A0 | 90 | 31 | 04 | 88 | A5 | 9F | 3A | 00 | 10 | BF | 00 |
| 20 | 3A | 11 | 22 | 70 | 61 | 2A | 3A | 00 | 0B | 00 | 00 | 85 | A2 | B0 | 00 | 00 |

Table 1

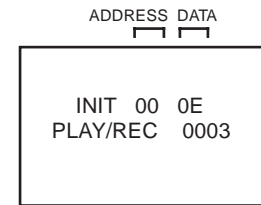
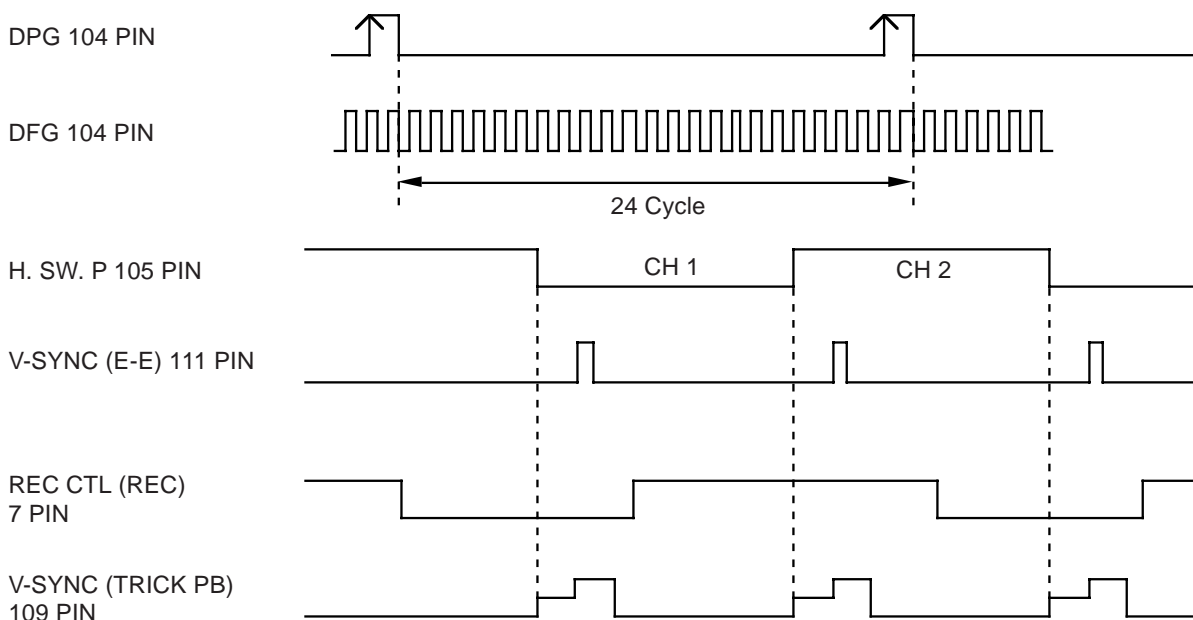


Fig. 1

1. Connect the set to TV Monitor.
2. Turn on the POWER.
3. Press both CH UP button on the set and the FF button on the set for more than 2 seconds. ADDRESS and DATA will appear on TV Monitor as Fig 1.
4. ADDRESS is now selected and should "blink". Using the SET + or - button on the remote, step through the ADDRESS until required ADDRESS to be changed is reached.
5. Press ENTER to select DATA. When DATA is selected, it will "blink".
6. Again, step through the DATA using SET + or - button until required DATA value has been selected.
7. Pressing ENTER will take you back to ADDRESS for further selection if necessary.
8. Repeat steps 4 to 7 until all data has been checked.
9. When satisfied correct DATA has been entered, turn POWER off (return to STANDBY MODE) to finish DATA input.
After the data input, set to the initializing of shipping.
10. Turn on the POWER.
11. Press both CH UP button on the set and the PLAY button on the set for more than 2 seconds.
12. After the finishing of the initializing of shipping, the unit will turn off automatically.
The unit will now have the correct DATA for the new MEMORY IC.

SERVO TIMING CHART

VCR PCB IC3001 (OEC0138A)



• WAVEFORM CHANGES DEPENDED ON THE TAPE SPEED



JVC SERVICE & ENGINEERING COMPANY OF AMERICA
DIVISION OF JVC AMERICAS CORP.

www.jvcservice.com(US Only)

JVC CANADA INC.

Head office : 21 Finchdene Square Scarborough, Ontario M1X 1A7

(416)293-1311

JVC[®]



Printed in Japan
0307 VP

JVC

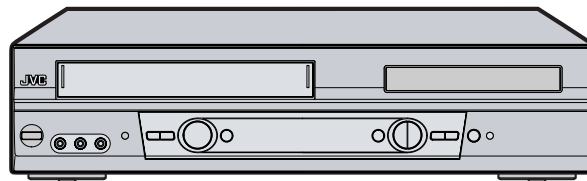
SCHEMATIC DIAGRAMS

DVD/CD PLAYER Hi-Fi STEREO VIDEO CASSTTE RECORDER

HR-XVC20Us(R)



CD-ROM No.SML200308



VHS SQPB

4 HEAD Hi-Fi

19µm HEAD



WMA MP3 JPEG



Regarding service information other than these sections, refer to the service manual No. 82948 (HR-XVC20US). Also, be sure to note important safety precautions provided in the service manual.

SPECIFICATIONS

GENERAL

Power supply: AC 120V 60Hz
Power consumption: Operation: 18W
Stand by: 2W
Weight: 7.9lbs (3.6 kg)
Dimensions: Width : 16-15/16 inches (430 mm)
Height: 3-7/8 inches (99 mm)
Depth : 9-13/16 inches (249 mm)
Inputs/Outputs:
Video: In: 1Vp-p/75 ohm
Out: 1Vp-p/75 ohm
Audio: In: -8 dBm/50k ohm
Out: -8 dBm/1k ohm
Antenna: UHF/VHF IN/OUT: 75 ohm coaxial
Hi-Fi Frequency Response: 20Hz to 20,000Hz
Hi-Fi Dynamic Range: More than 90dB

VCR section

Video Head: 4 Rotary Heads
Audio Track: Hi-Fi Sound - 2 Tracks / MONO Sound - 1 Track
Tuner: 181 Channel Freq. Synthesized
VHF 2-13
UHF 14-69
CATV 14-36 (A)-(W)
37-59 (AA)-(WW)
60-85 (AAA)-(ZZZ)
86-94 (86)-(94)
95-99 (A-5)-(A-1)
100-125 (100)-(125)
01 (5A)
RF Channel Output: Channel 3 or 4, Switchable
F.FWD/REW Time: Approx. 1 minute 48 seconds (with T-120 Cassette Tape) (at+25°C)

DVD section

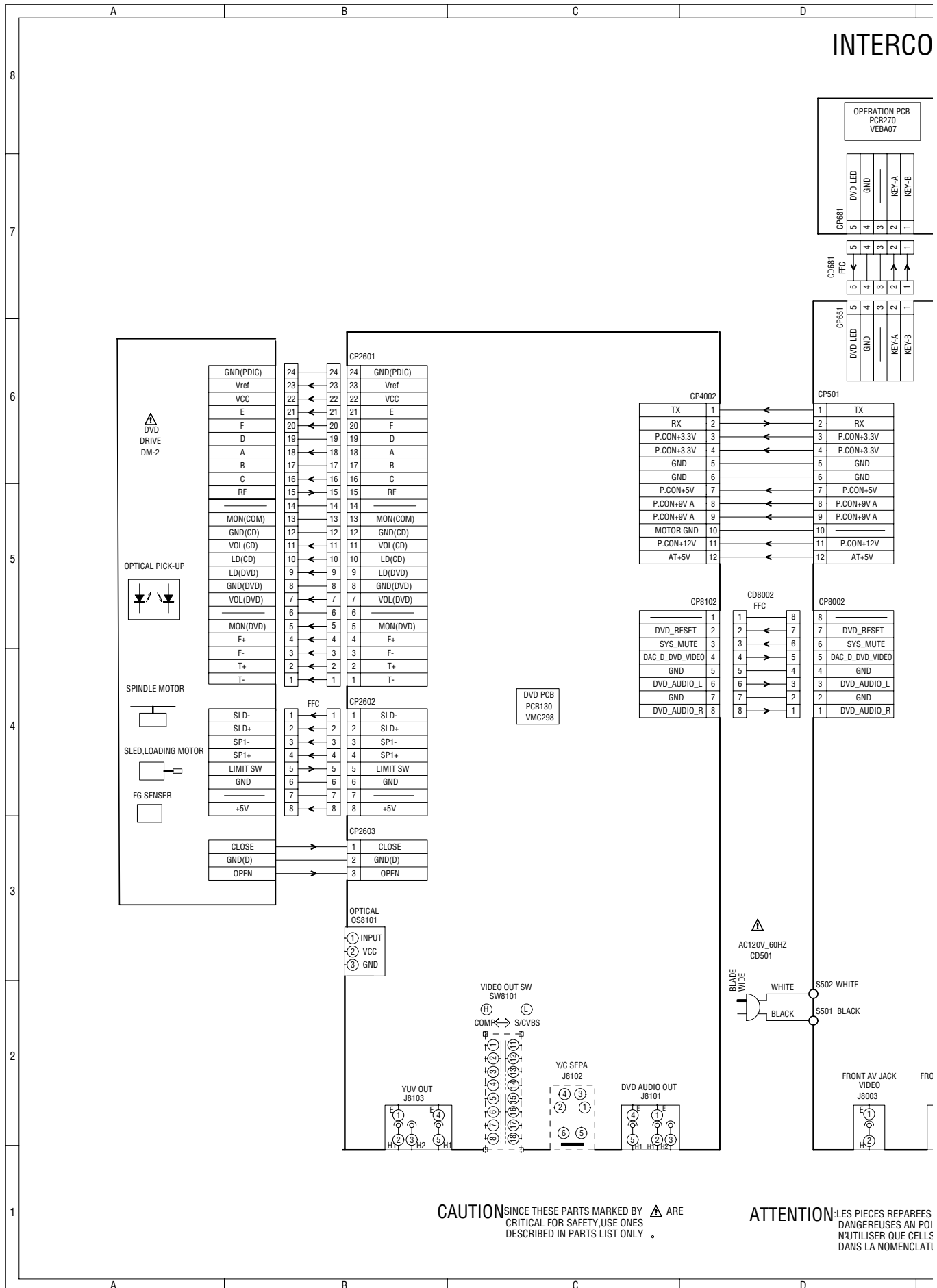
Signal system: NTSC
Applicable disc: DVD (12cm, 8cm), CD (12cm, 8cm)
Audio characteristics
Frequency response: DVD: 4Hz - 22kHz
CD: 4Hz - 20kHz
90dB
S/N Ratio: 0.02%
Harmonic distortion
Wow and flutter: Less than 0.01% Wrms
Dynamic range: More than 90dB
Output: Video : (RCA) 1 Vp-p/75ohm
Audio : (RCA) -8 dBm/1k ohm
Digital Audio : 0.5Vp-p 75 ohm
Pickup: CD : Wavelength: 775 - 805 nm
Maximum output power: 0.5 mW
DVD : Wavelength: 640 - 660 nm
Maximum output power: 1.0 mW

ACCESSORIES:

Remote control x 1
Batteries (2 x AA)
75 ohm Coaxial Cable x 1
AUDIO/VIDEO Cable x 1

SECTIC CHARTS AND

INTERCO

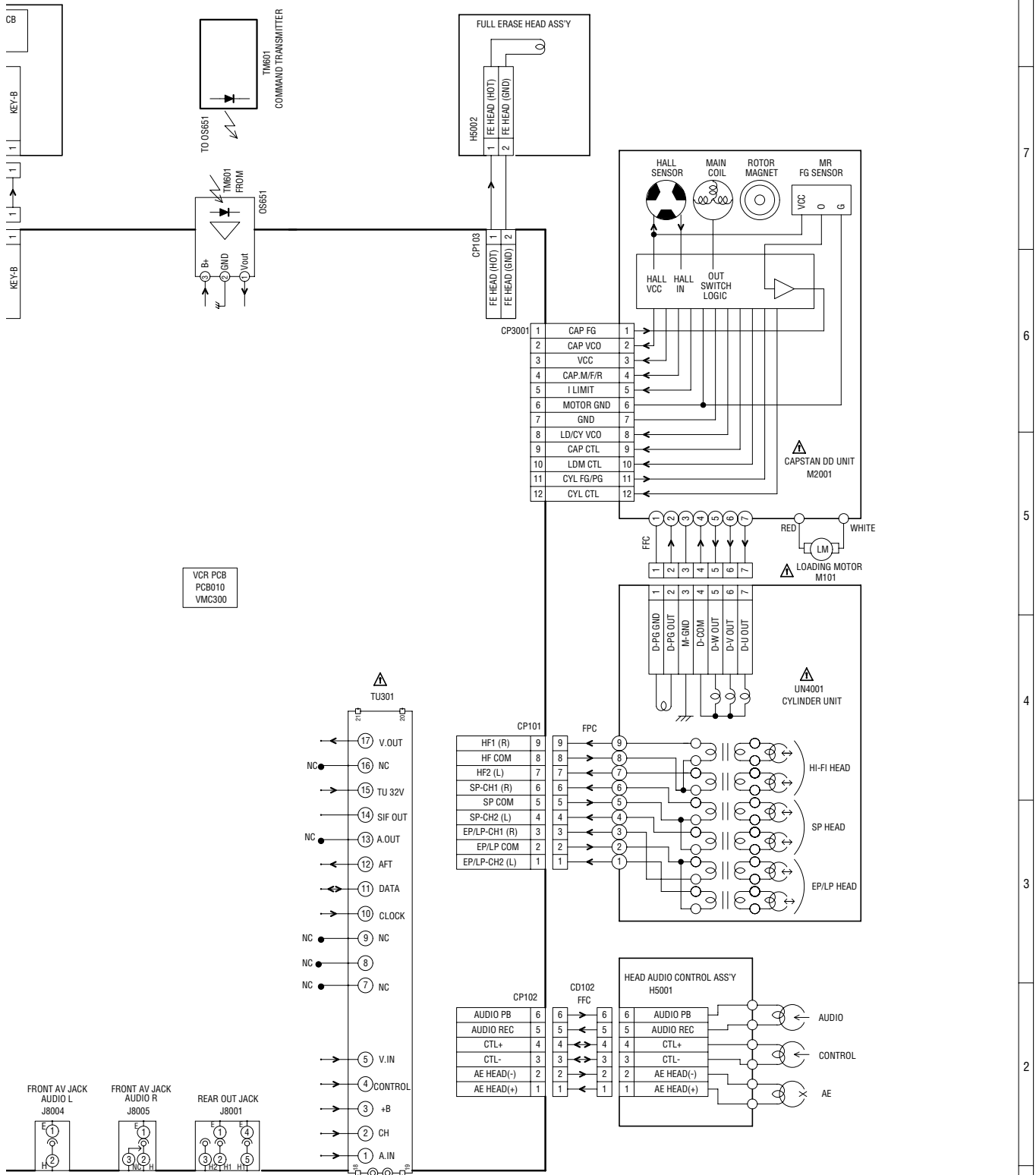


CAUTION SINCE THESE PARTS MARKED BY ARE CRITICAL FOR SAFETY, USE ONES DESCRIBED IN PARTS LIST ONLY.

ATTENTION LES PIECES REPAREES DANGEREUSES AN POI N'UTILISER QUE CELLS DANS LA NOMENCLATI

SECTION 2 WIRING DIAGRAMS

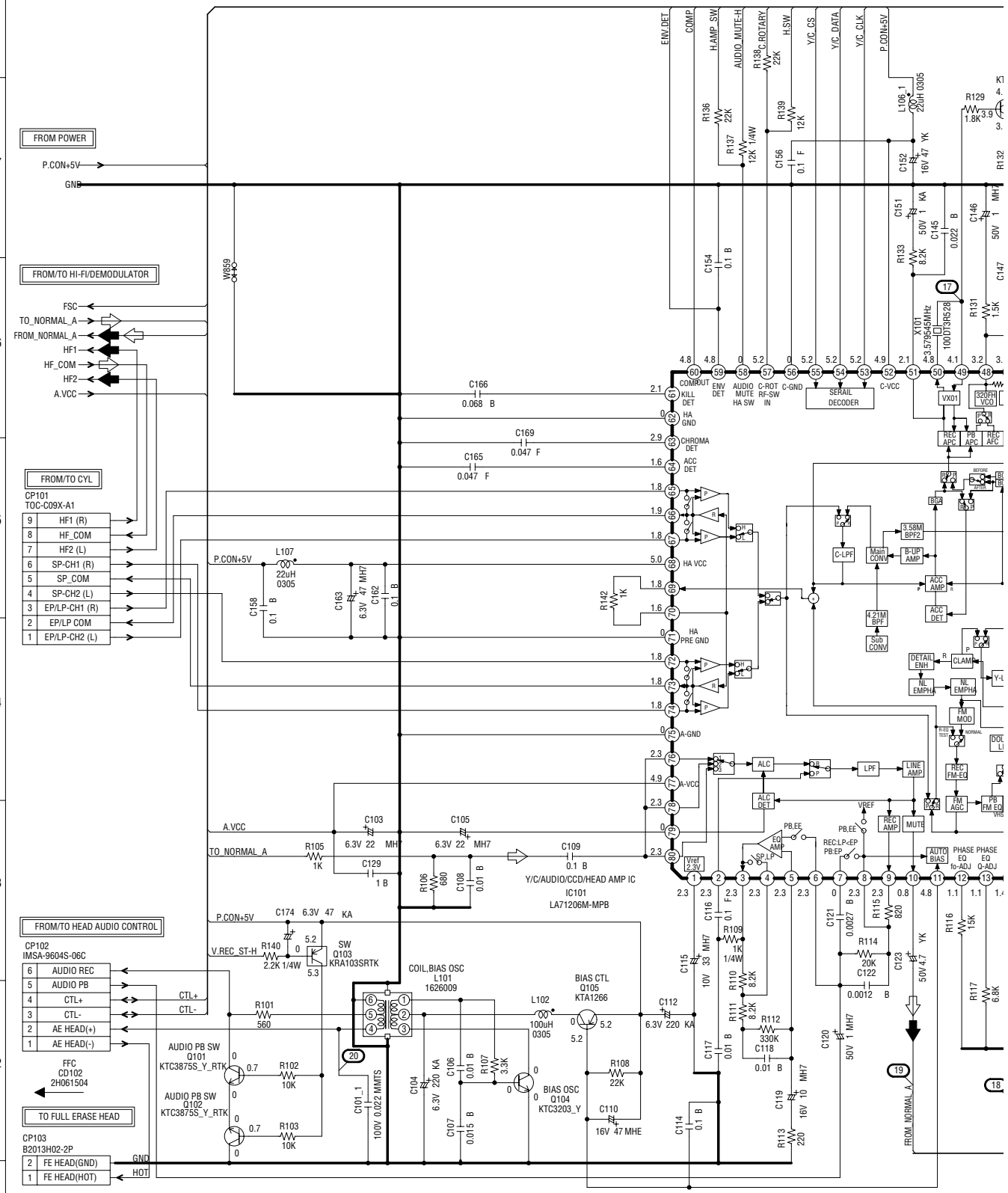
CONNECTION DIAGRAM



AREES PAR UN ETANT AN POINT DE VUE SECURITE E CELLS DECRITES INCLATURE DES PIECES.

NOTE: THIS INTERCONNECTION DIAGRAM IS THE LATEST AT THE TIME OF PRINTING AND SUBJECT TO CHANGE WITHOUT NOTICE.

Y/C/AUDIO/CCD/HEAD AM (VCR F)



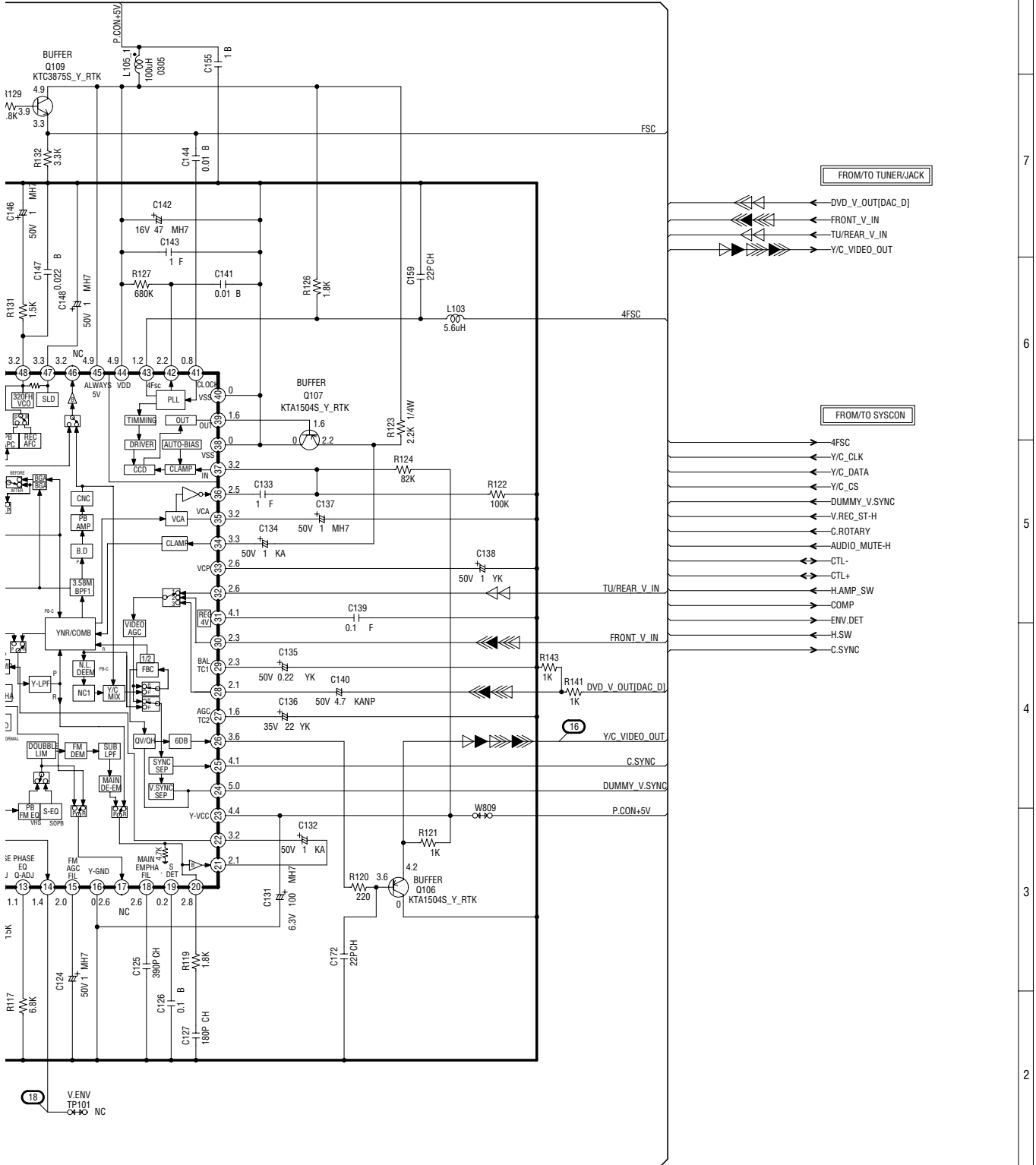
NOTE: THIS SCHEMATIC DIAGRAM IS THE LATEST AT THE TIME OF PRINTING AND SUBJECT TO CHANGE WITHOUT NOTICE.

NOTE: THE DC VOLTAGE EACH PART WAS MEASURED WITH THE DIGITAL TESTER DURING PLAYBACK.

Note : The Parts Number, value and rated voltage etc. in the Schematic Diagram are for references only.
When replacing the parts, refer to the Parts List.

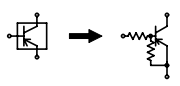
AMP SCHEMATIC DIAGRAM

(FRONT PCB)



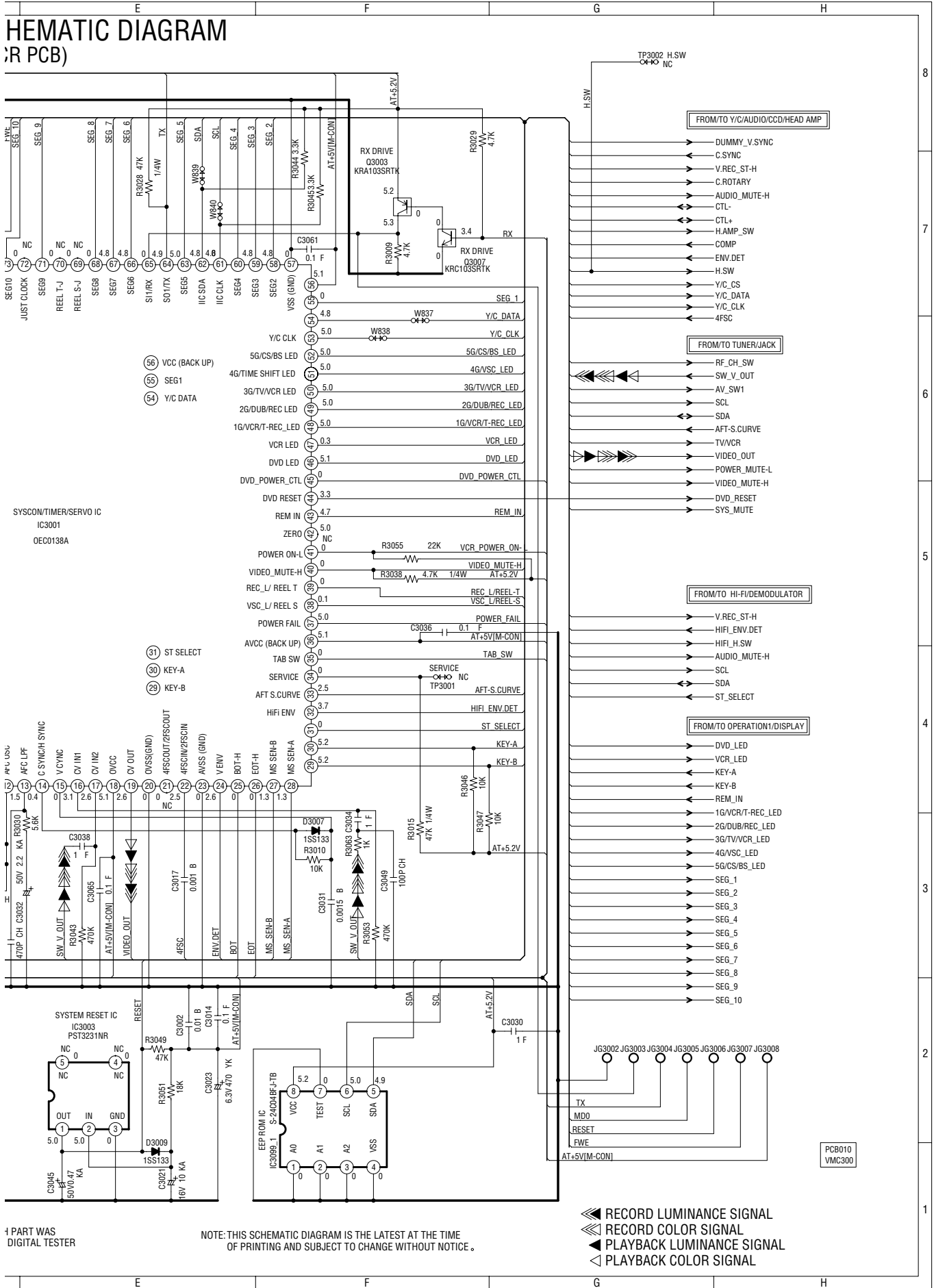
- PLAYBACK VIDEO SIGNAL
- RECORD COLOR SIGNAL
- RECORD LUMINANCE SIGNAL
- AUDIO SIGNAL (REC)
- AUDIO SIGNAL (PB)
- PLAYBACK COLOR SIGNAL
- PLAYBACK LUMINANCE SIGNAL
- TUNER VIDEO SIGNAL

CAUTION: DIGITAL TRANSISTOR



PCB010
VMC300

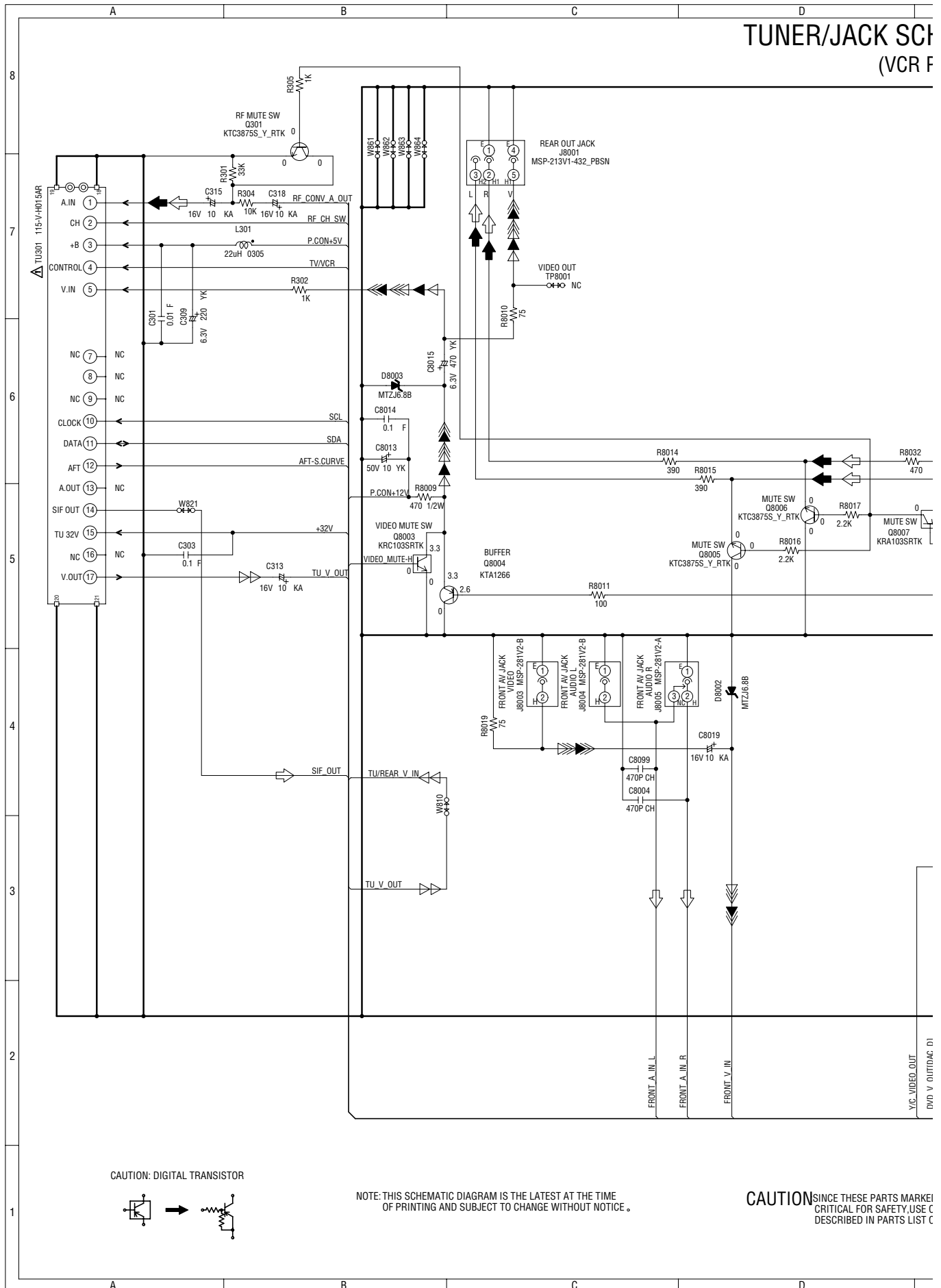
Note : The Parts Number, value and rated voltage etc. in the Schematic Diagram are for references only. When replacing the parts, refer to the Parts List.



1 PART WAS DIGITAL TESTER

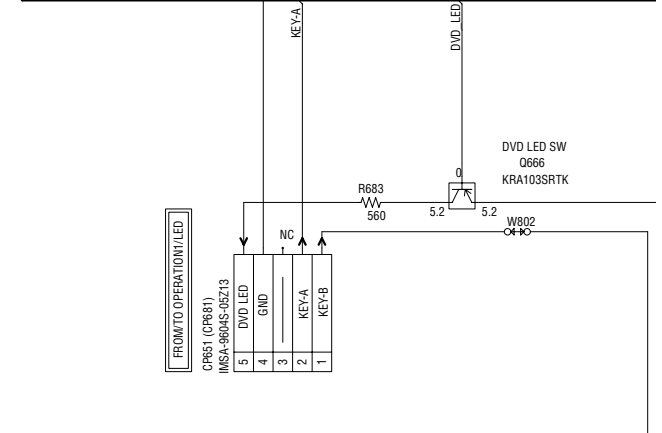
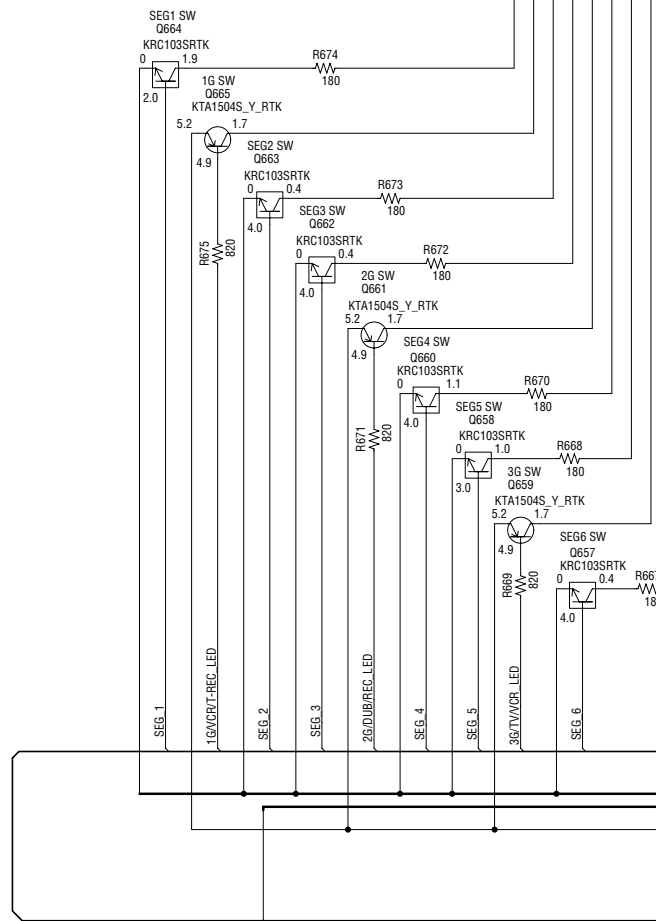
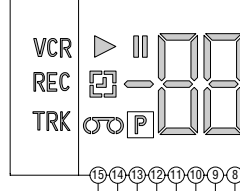
NOTE: THIS SCHEMATIC DIAGRAM IS THE LATEST AT THE TIME OF PRINTING AND SUBJECT TO CHANGE WITHOUT NOTICE.

TUNER/JACK SCH (VCR F

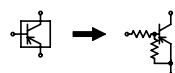


OPERATION/DISPLAY S (VCR PC

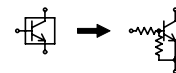
V651 ELF-4M6SDRVGWB



CAUTION: DIGITAL TRANSISTOR

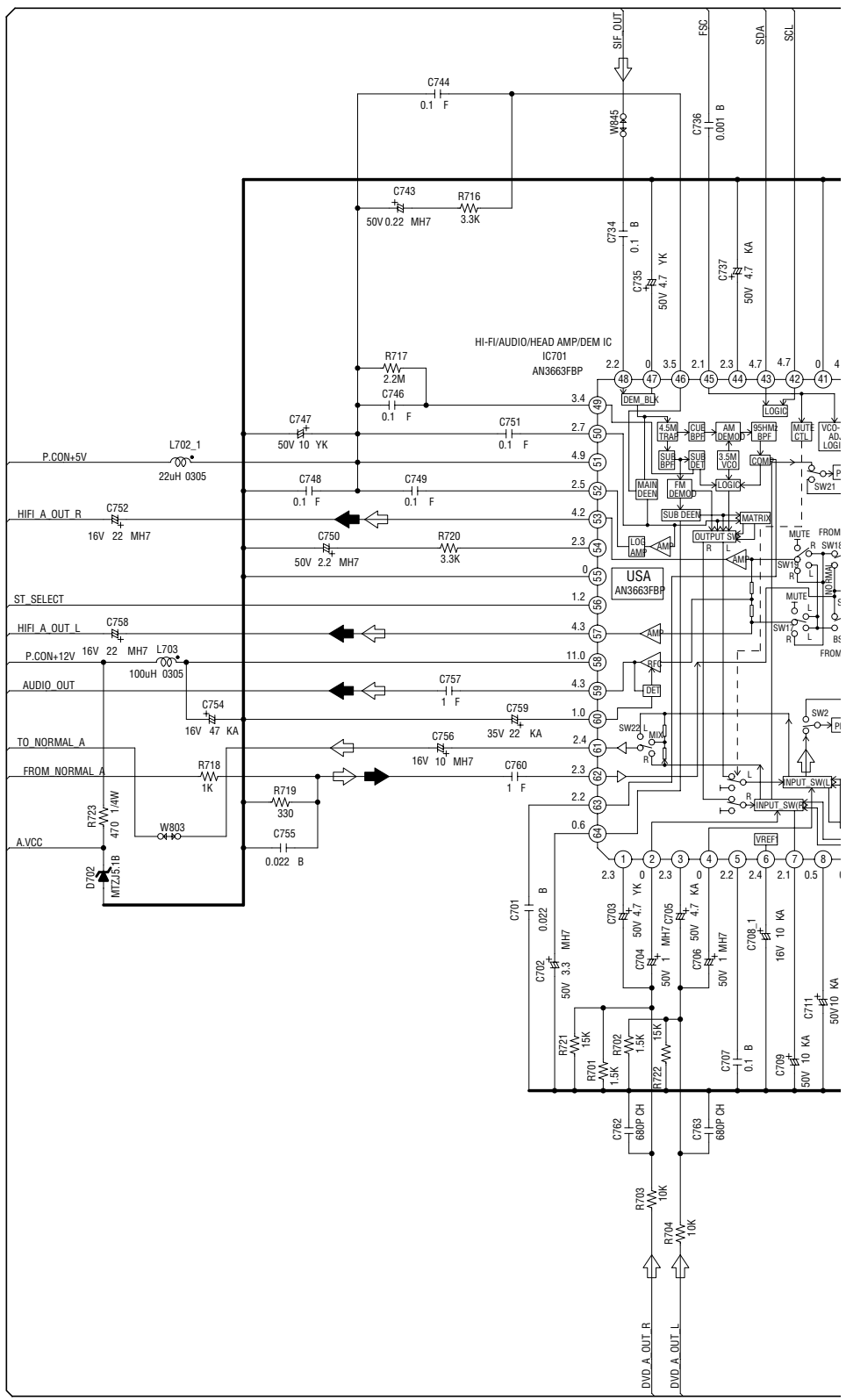


CAUTION: DIGITAL TRANSISTOR



NC

HI-FI/DEMODULATOR (VCR PC)



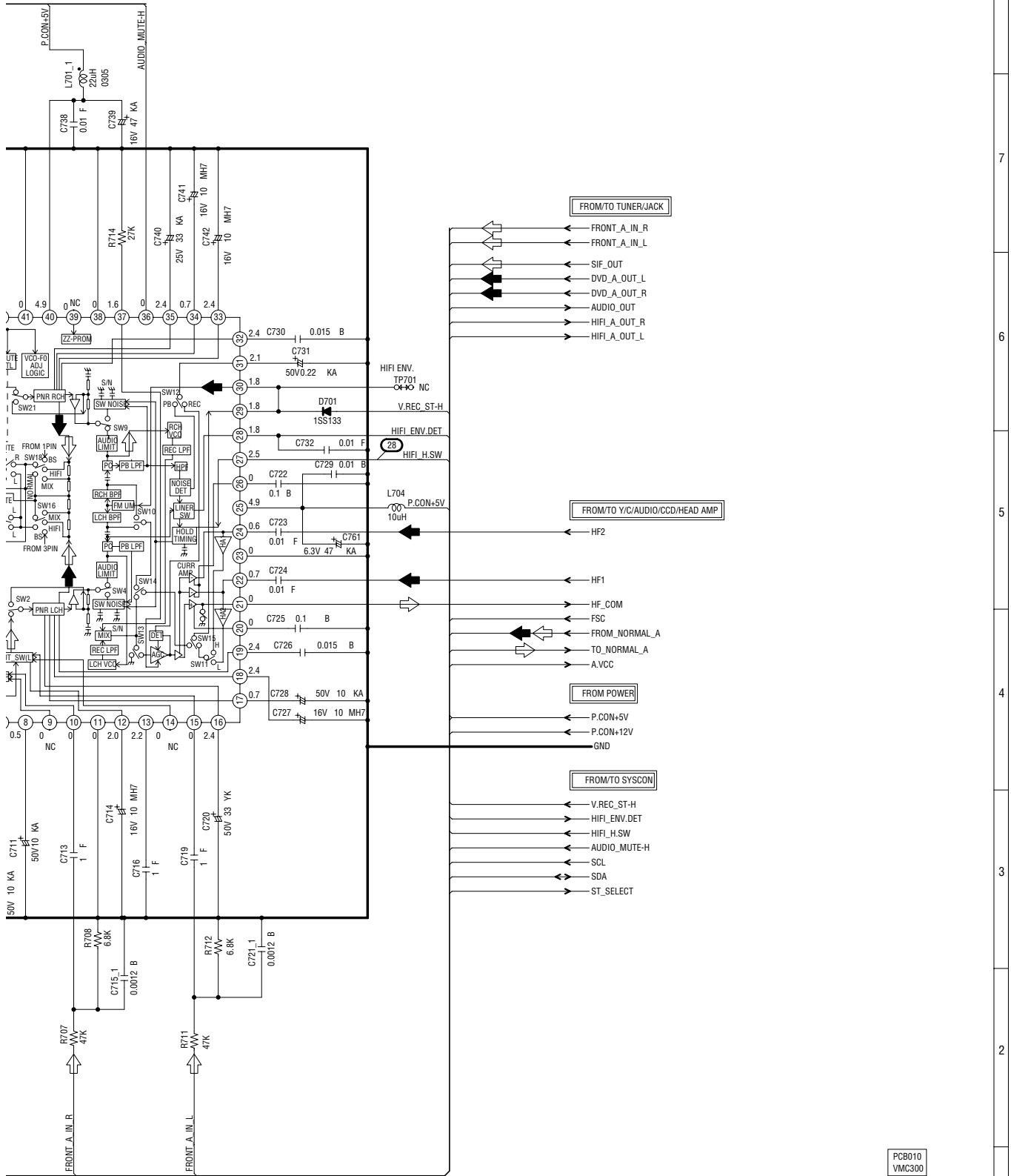
NOTE: THE DC VOLTAGE EACH PART WAS MEASURED WITH THE DIGITAL TESTER DURING PLAYBACK.

NOTE: THIS SCHEMATIC DIAGRAM IS THE LATEST OF PRINTING AND SUBJECT TO CHANGE W

Note : The Parts Number, value and rated voltage etc. in the Schematic Diagram are for references only. When replacing the parts, refer to the Parts List.

OR SCHEMATIC DIAGRAM

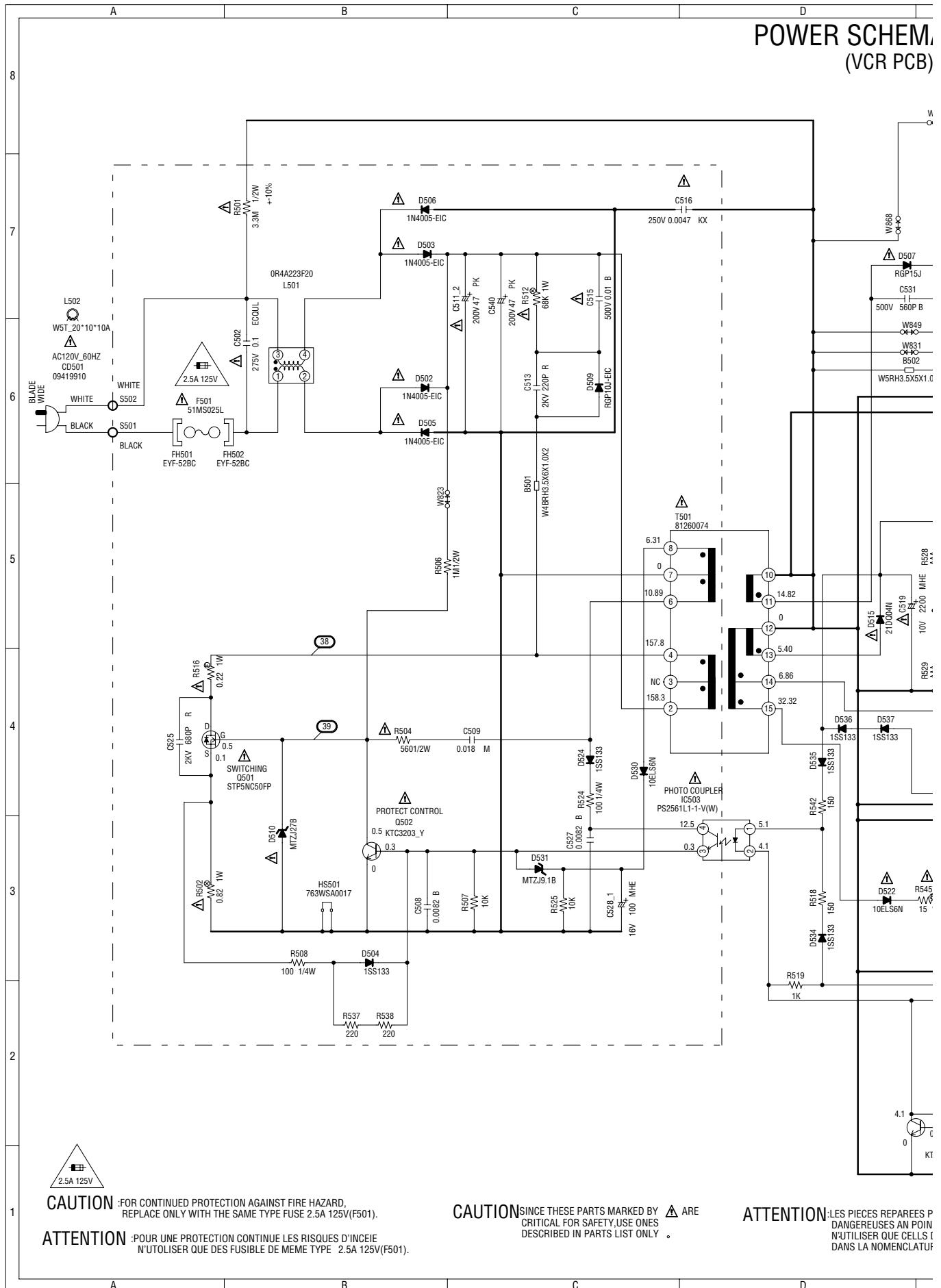
R PCB)



LATEST AT THE TIME
CHANGE WITHOUT NOTICE.

⇨ AUDIO SIGNAL(REC)
⇩ AUDIO SIGNAL(PB)

POWER SCHEM. (VCR PCB)



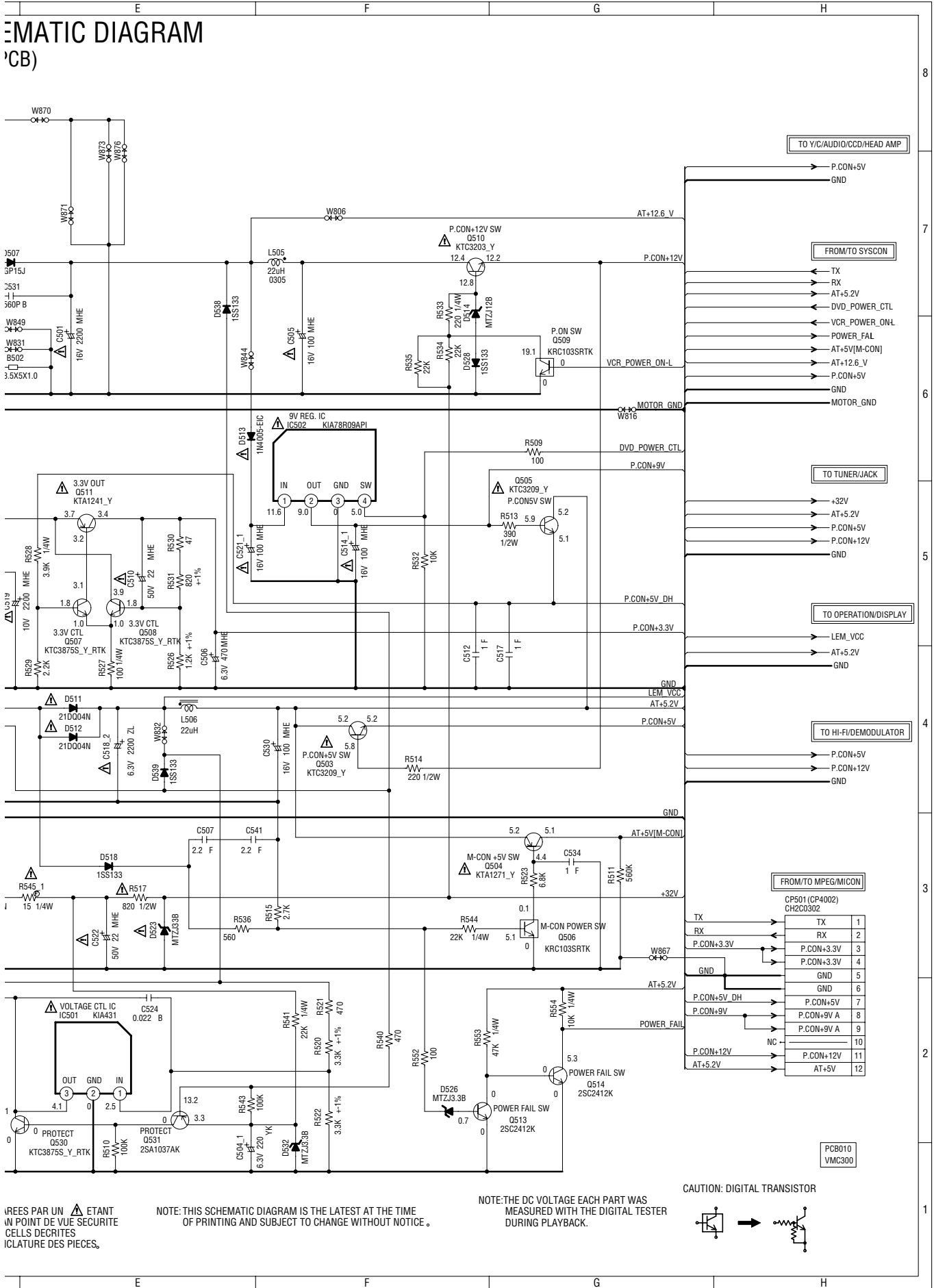
CAUTION :FOR CONTINUED PROTECTION AGAINST FIRE HAZARD, REPLACE ONLY WITH THE SAME TYPE FUSE 2.5A 125V(F501).

ATTENTION :POUR UNE PROTECTION CONTINUE LES RISQUES D'INCEINDE N'UTILISER QUE DES FUSIBLE DE MEME TYPE 2.5A 125V(F501).

CAUTION SINCE THESE PARTS MARKED BY ARE CRITICAL FOR SAFETY, USE ONES DESCRIBED IN PARTS LIST ONLY.

ATTENTION :LES PIECES REPAREES P DANGERUSES AN POIN N'UTILISER QUE CELLS I DANS LA NOMENCLATUF

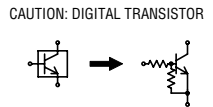
Note : The Parts Number, value and rated voltage etc. in the Schematic Diagram are for references only. When replacing the parts, refer to the Parts List.



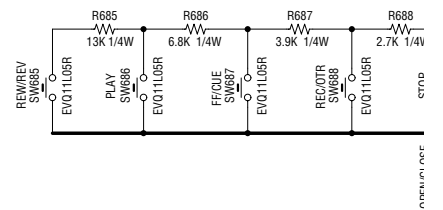
REPLACER PAR UN ETANT EN POINT DE VUE SECURITE CELLS DECRIRES ICLATURE DES PIECES.

NOTE: THIS SCHEMATIC DIAGRAM IS THE LATEST AT THE TIME OF PRINTING AND SUBJECT TO CHANGE WITHOUT NOTICE.

NOTE: THE DC VOLTAGE EACH PART WAS MEASURED WITH THE DIGITAL TESTER DURING PLAYBACK.



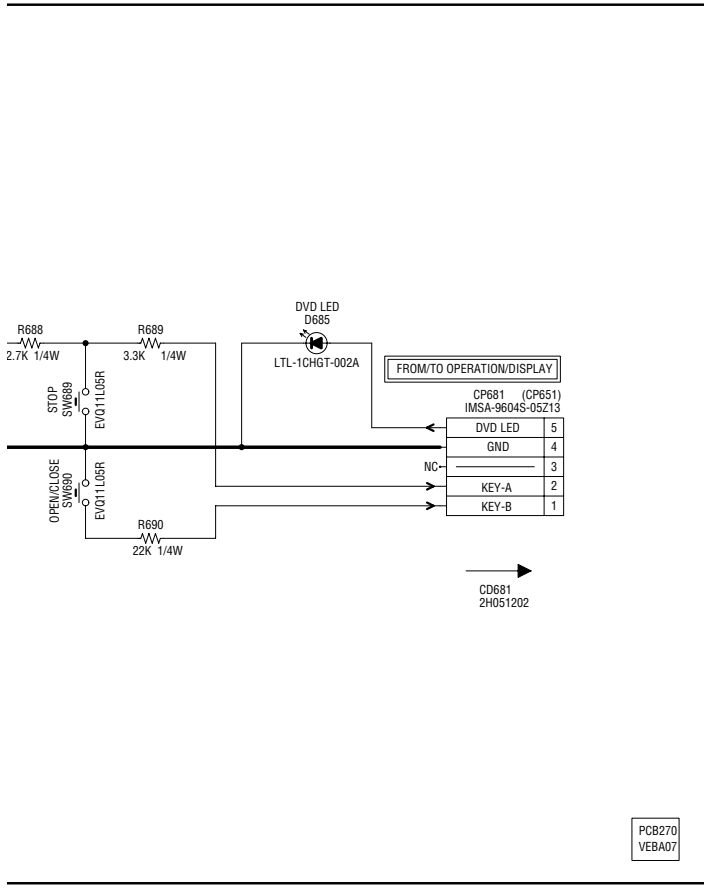
OPERATION/LED SC (OPERA



NOTE: THE DC VOLTAGE EACH PART WAS
MEASURED WITH THE DIGITAL TESTER
DURING PLAYBACK.

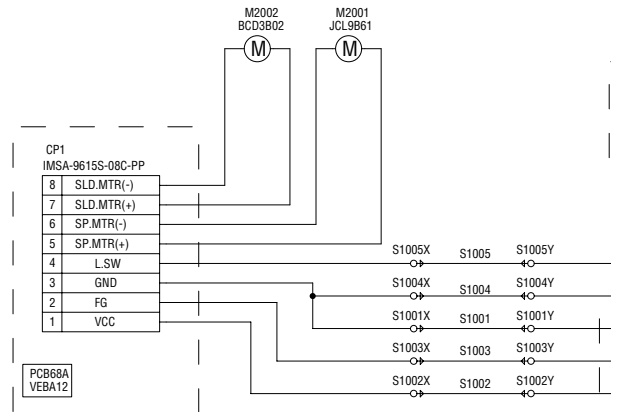
Note : The Parts Number, value and rated voltage etc. in the Schematic Diagram are for references only. When replacing the parts, refer to the Parts List.

SCHEMATIC DIAGRAM
 (OPERATION PCB)



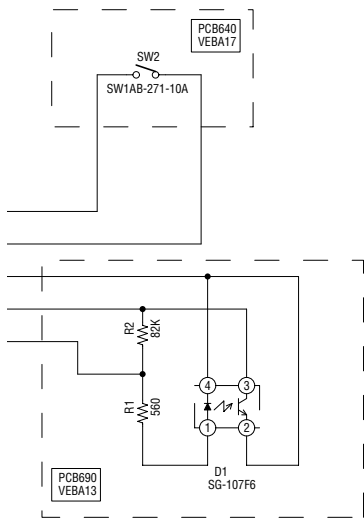
NOTE: THIS SCHEMATIC DIAGRAM IS THE LATEST AT THE TIME OF PRINTING AND SUBJECT TO CHANGE WITHOUT NOTICE.

SW/RELAY/FG SC

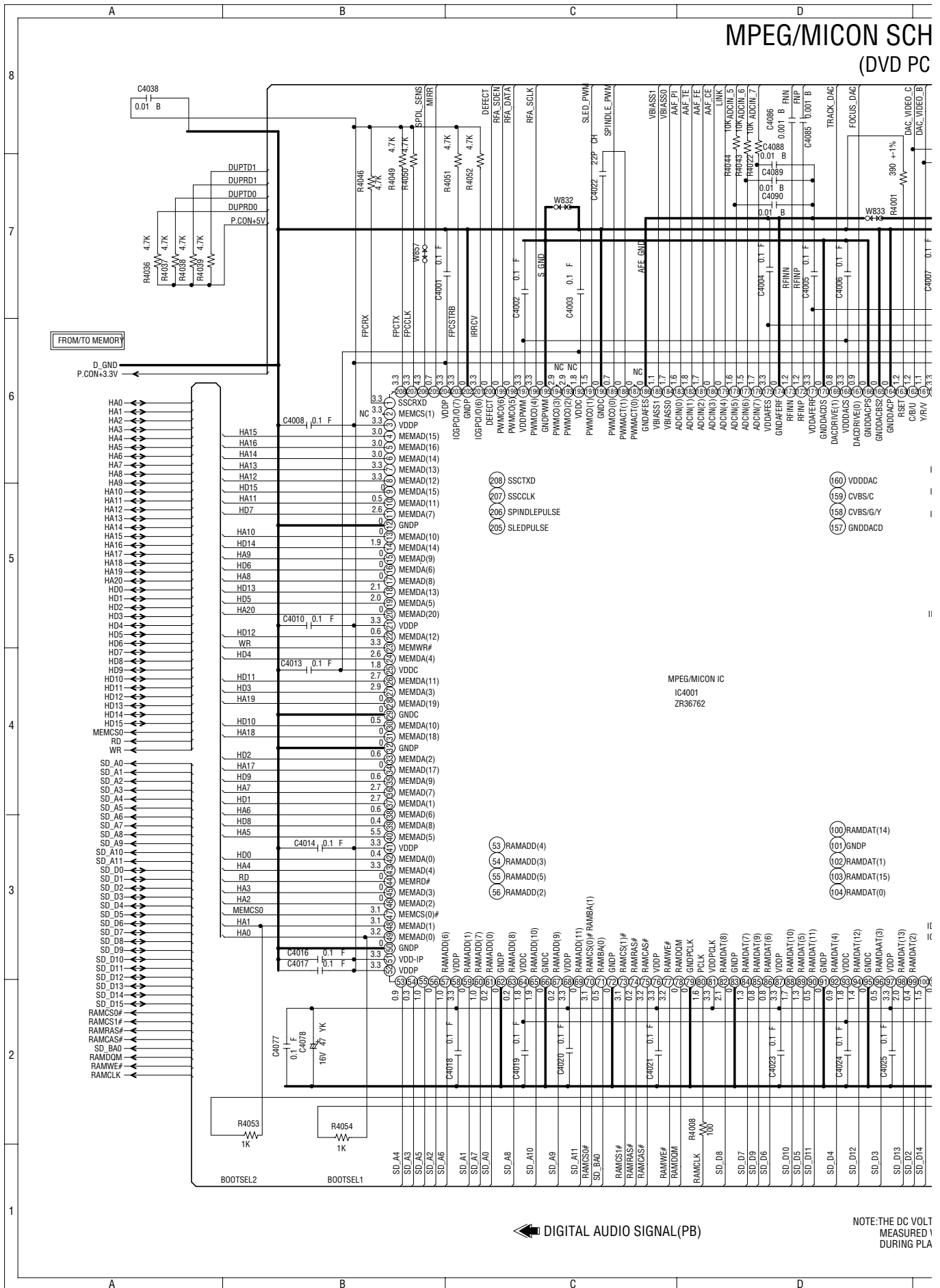


Note : The Parts Number, value and rated voltage etc. in the Schematic Diagram are for references only.
When replacing the parts, refer to the Parts List.

SCHEMATIC DIAGRAM



MPEG/MICON SCH (DVD PC)



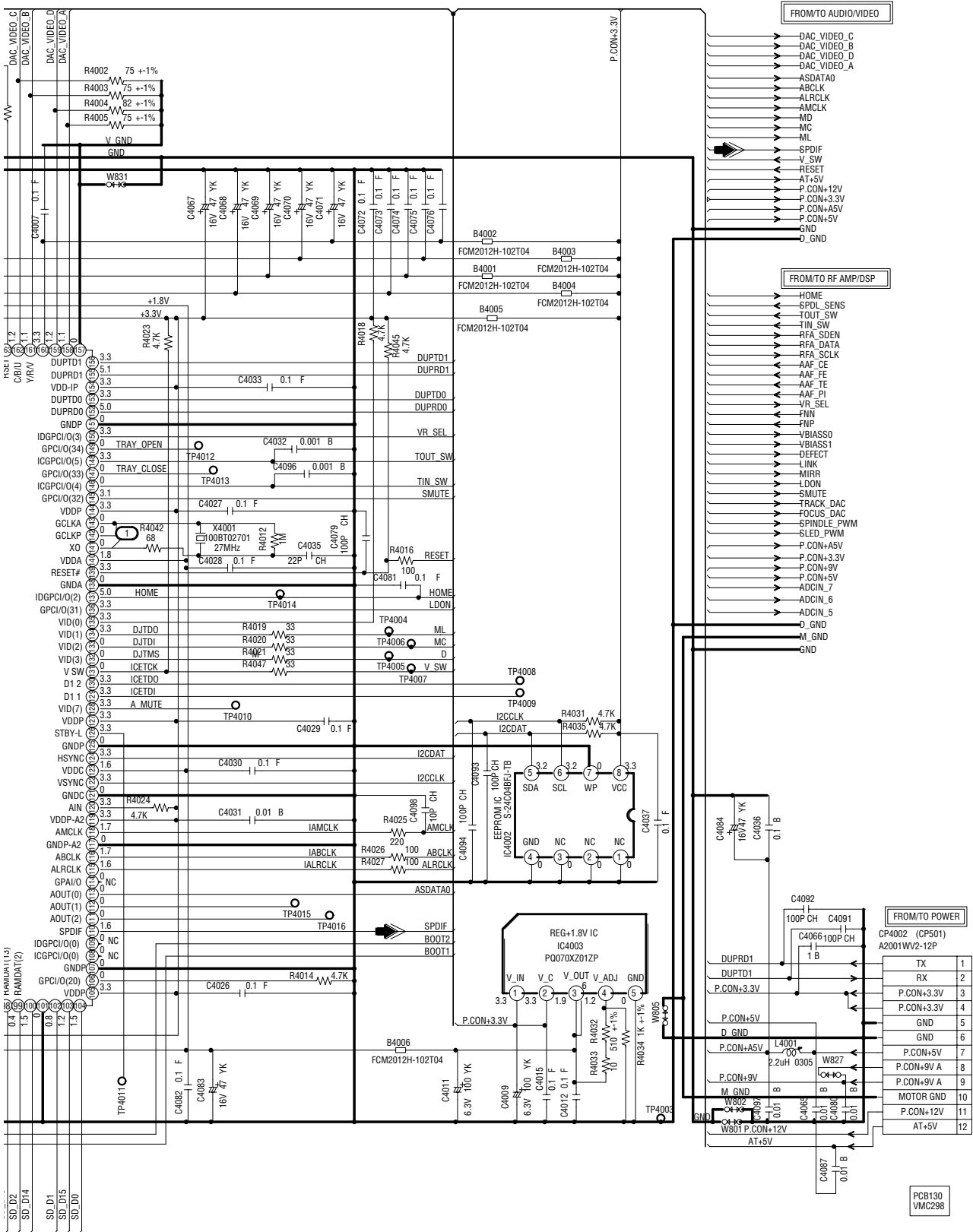
DIGITAL AUDIO SIGNAL(PB)

NOTE:THE DC VOLT MEASURED DURING PLA

Note : The Parts Number, value and rated voltage etc. in the Schematic Diagram are for references only.
When replacing the parts, refer to the Parts List.

CHEMATIC DIAGRAM

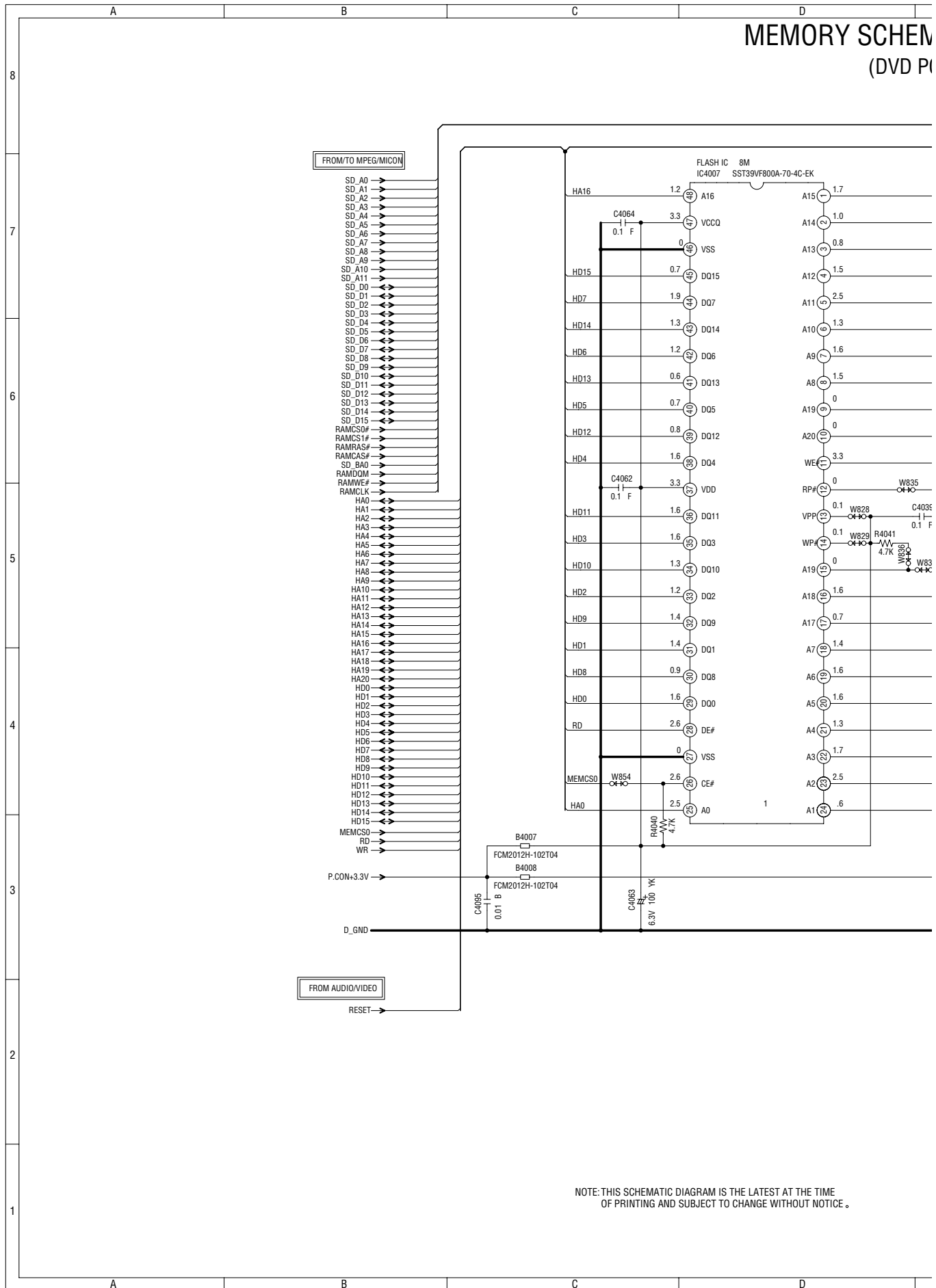
(PCB)



IC VOLTAGE EACH PART WAS SURED WITH THE DIGITAL TESTER NG PLAYBACK.

NOTE: THIS SCHEMATIC DIAGRAM IS THE LATEST AT THE TIME OF PRINTING AND SUBJECT TO CHANGE WITHOUT NOTICE.

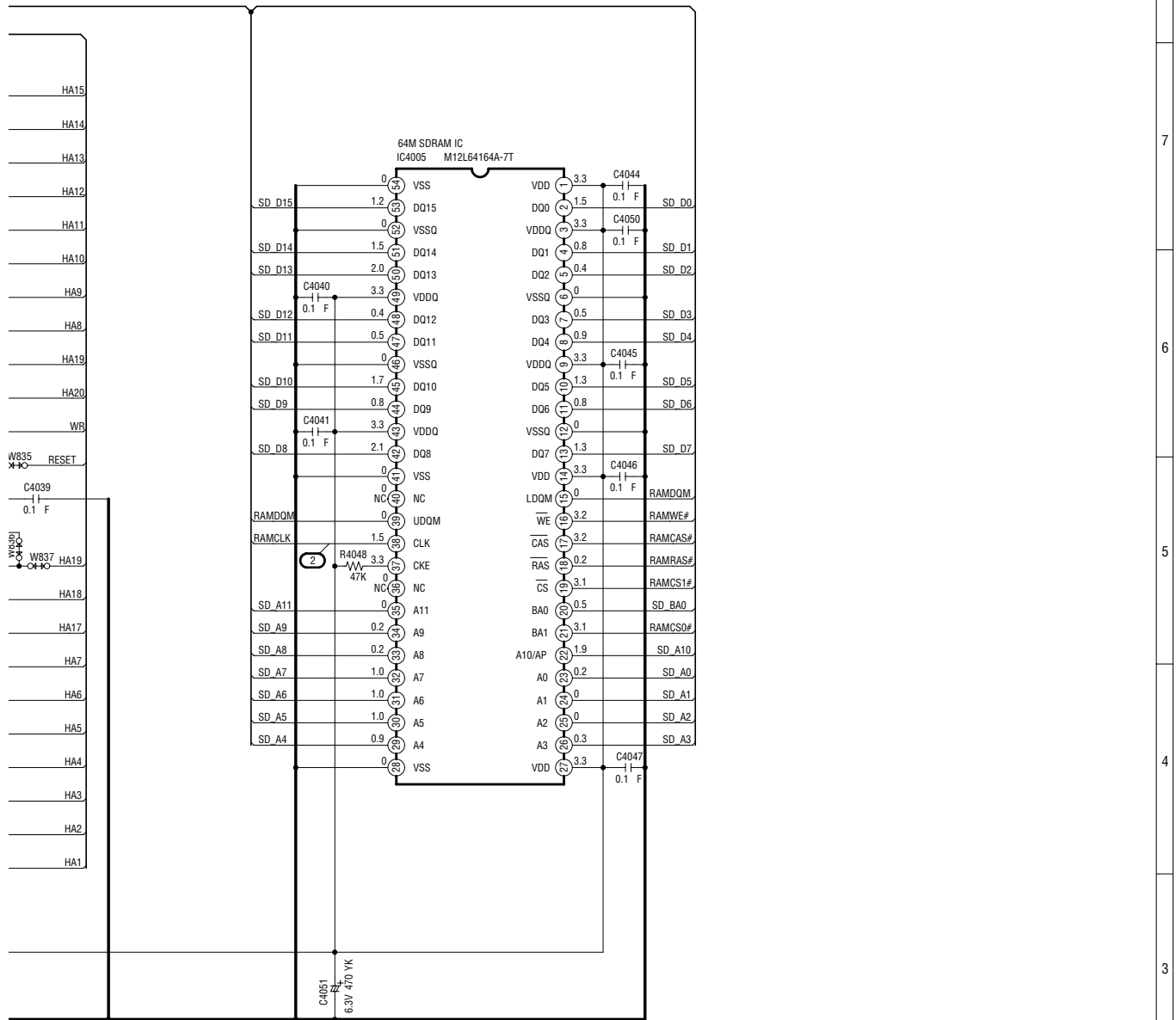
MEMORY SCHEM (DVD PI



NOTE: THIS SCHEMATIC DIAGRAM IS THE LATEST AT THE TIME OF PRINTING AND SUBJECT TO CHANGE WITHOUT NOTICE.

Note : The Parts Number, value and rated voltage etc. in the Schematic Diagram are for references only.
When replacing the parts, refer to the Parts List.

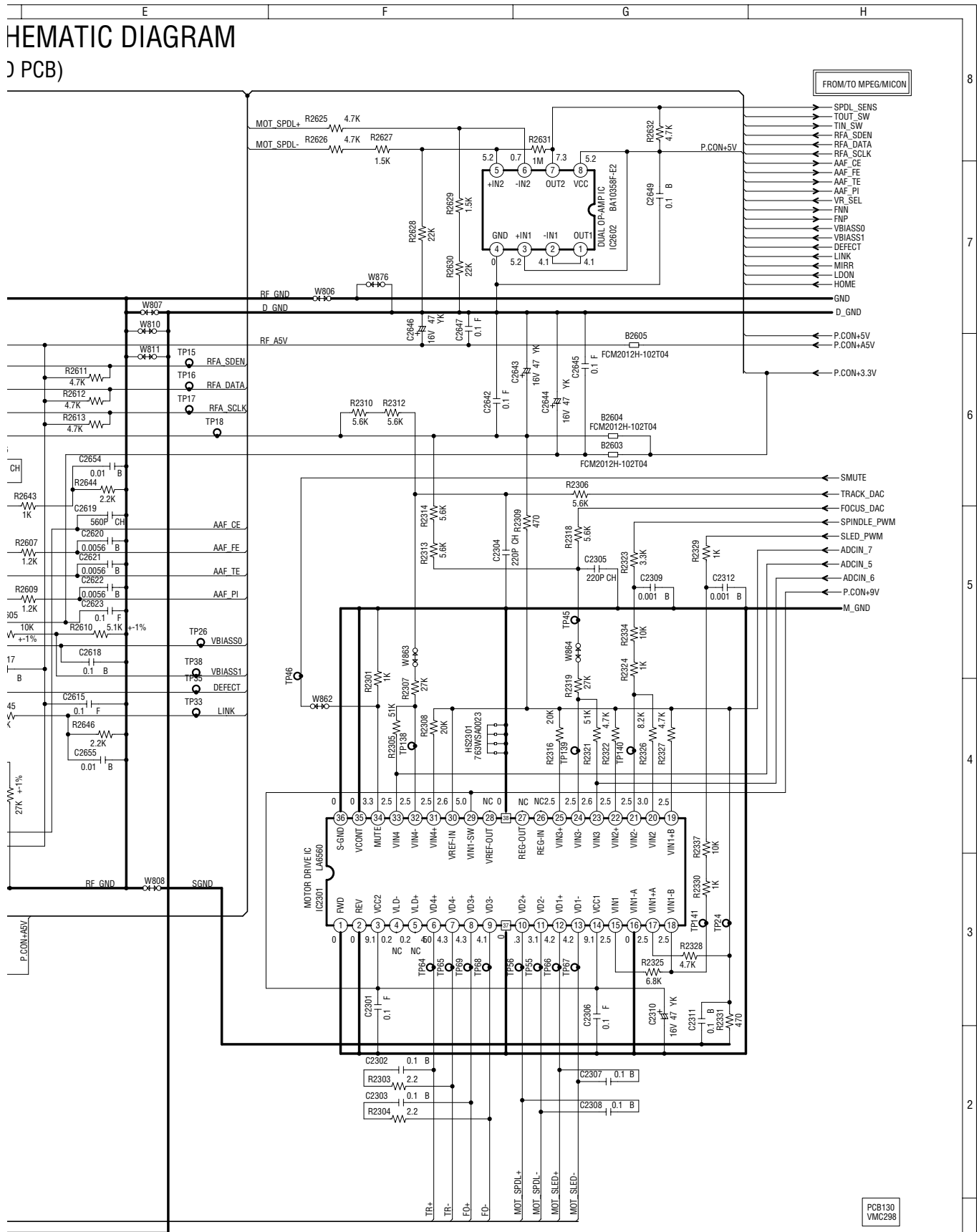
SCHEMATIC DIAGRAM D PCB)



NOTE:THE DC VOLTAGE EACH PART WAS
MEASURED WITH THE DIGITAL TESTER
DURING PLAYBACK.

PCB130
VMC298

Note : The Parts Number, value and rated voltage etc. in the Schematic Diagram are for references only. When replacing the parts, refer to the Parts List.



CAUTION SINCE THESE PARTS MARKED BY ARE CRITICAL FOR SAFETY, USE ONES DESCRIBED IN PARTS LIST ONLY.

ATTENTION LES PIECES REPARÉES PAR UN ÉTANT DANGEREUSES AN POINT DE VUE SECURITE N'UTILISER QUE CELLS DECRITES DANS LA NOMENCLATURE DES PIECES.

AUDIO/VIDEO SCHEMATIC DIAGRAM

(DVD PCB)

FROM TO MPEG/MICON

P.CON+5V
DAC_VIDEO_A
DAC_VIDEO_C
DAC_VIDEO_B
DAC_VIDEO_D
P.CON+5V
P.CON+3.3V

P.CON+5V

AT+5V
P.CON+12V
V_SW
RESET
MC
MD
ML
AMCLK
ABCLK
ALRCLK
ASDATA0

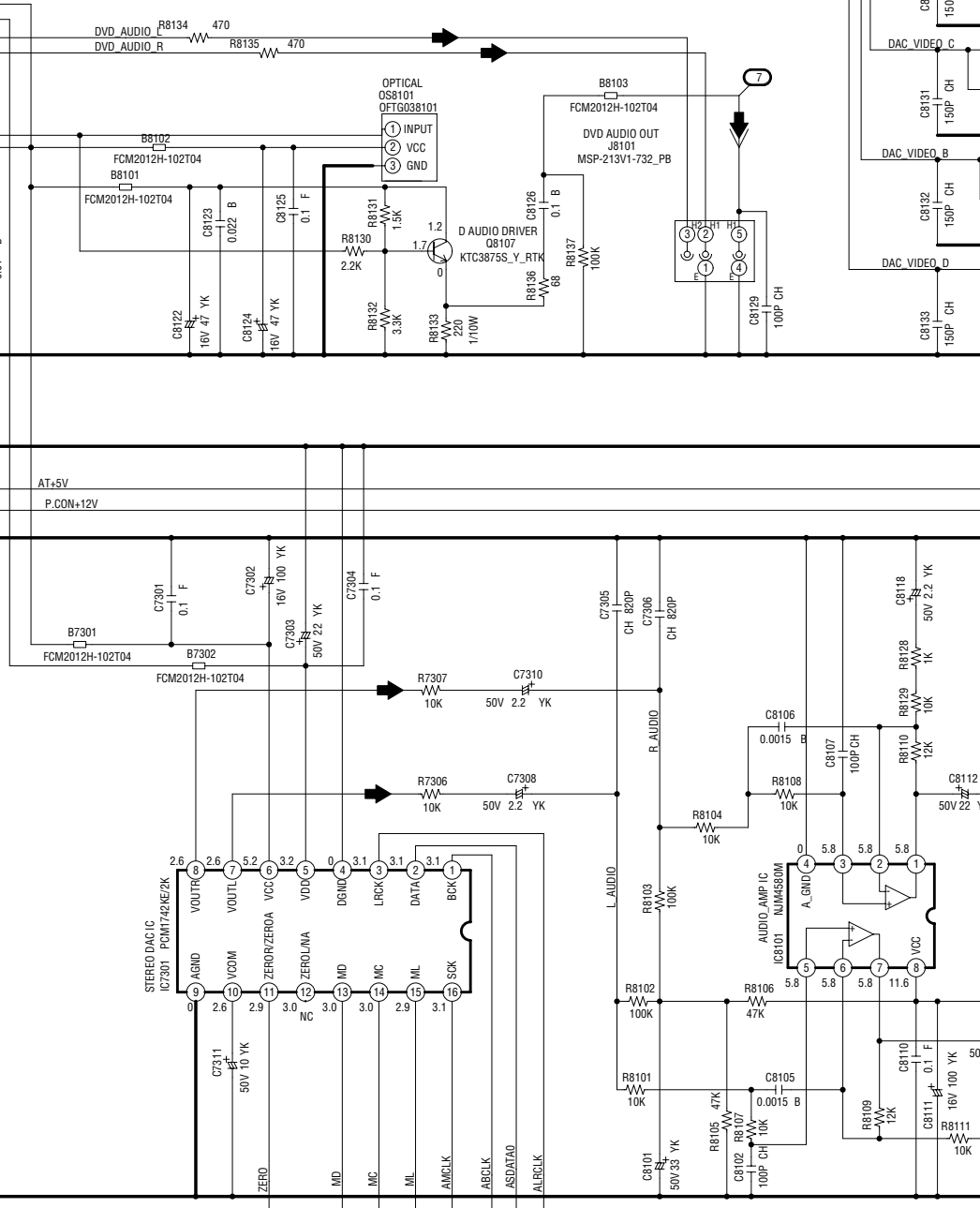
SPDIF
GND

D_GND

FROM MEMORY

RESET

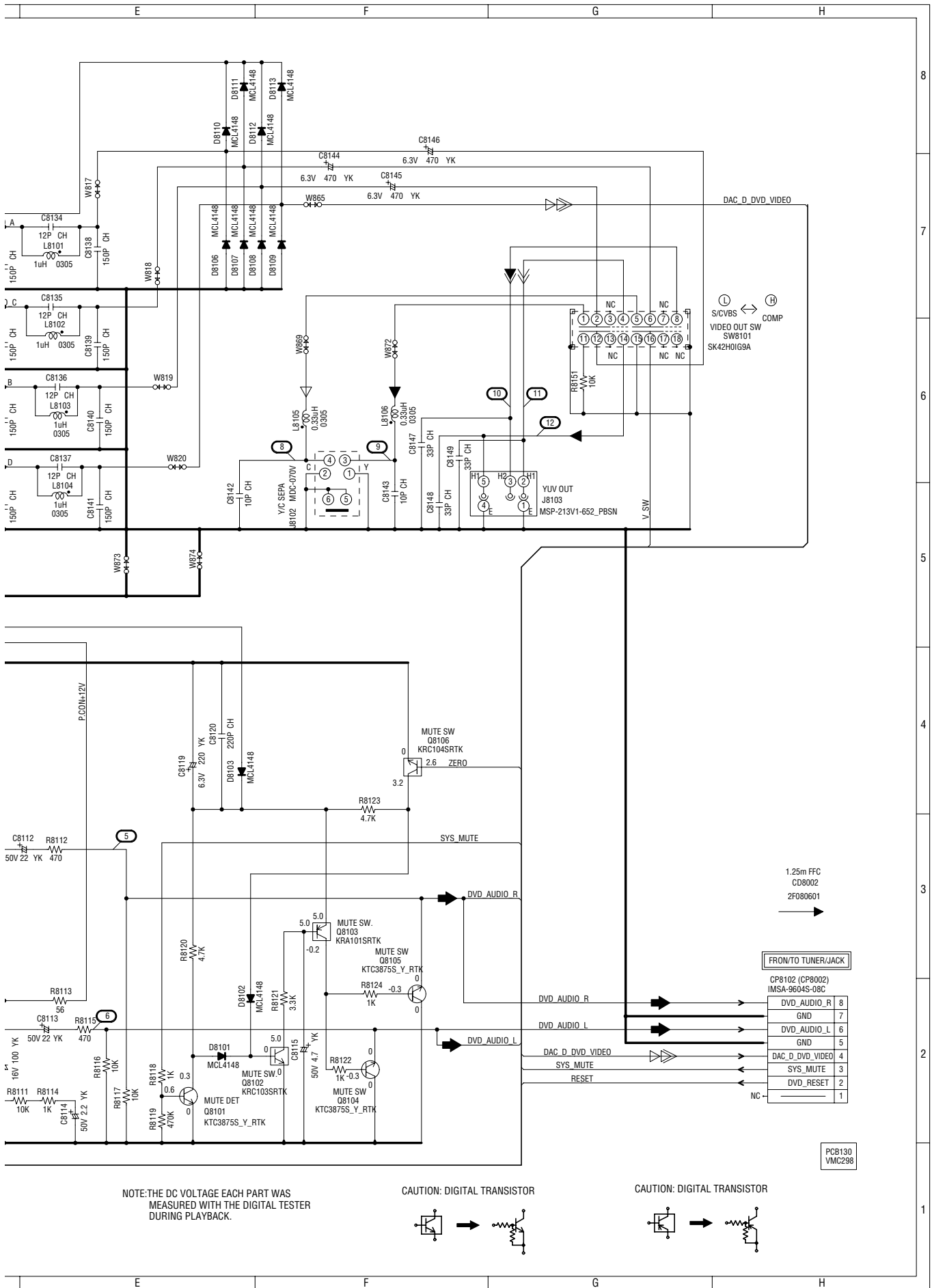
RESET



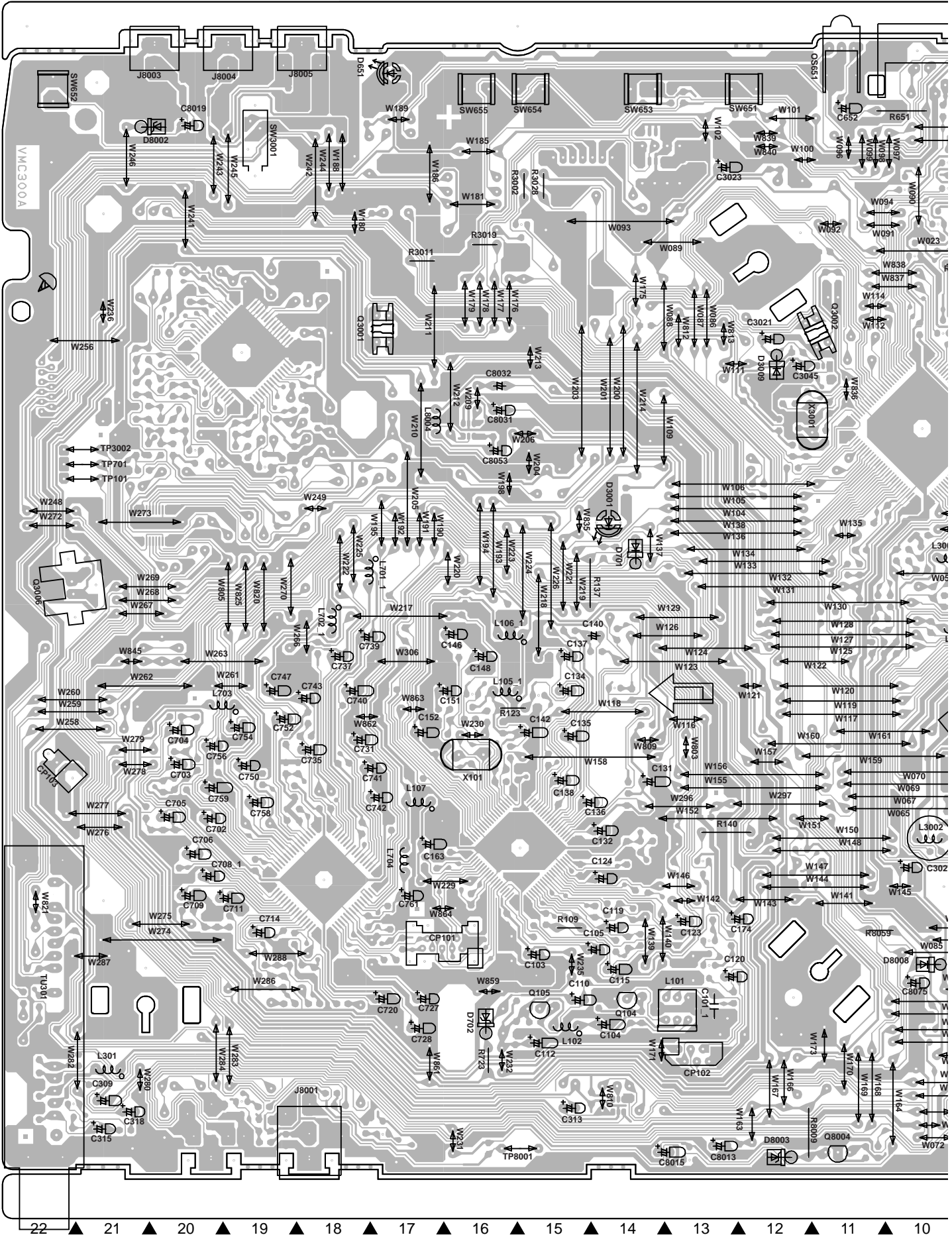
- ◁ PLAYBACK COLOR SIGNAL
- ◁ PLAYBACK LUMINANCE SIGNAL
- ◁ PLAYBACK VIDEO SIGNAL
- ▶ AUDIO SIGNAL(PB)
- ▶ DIGITAL AUDIO SIGNAL(PB)
- ◁ R.SIGNAL+ COMPONENT SIGNAL(U)
- ◁ B.SIGNAL+ COMPONENT SIGNAL(V)

NOTE: THIS SCHEMATIC DIAGRAM IS THE LATEST AT THE TIME OF PRINTING AND SUBJECT TO CHANGE WITHOUT NOTICE.

Note : The Parts Number, value and rated voltage etc. in the Schematic Diagram are for references only. When replacing the parts, refer to the Parts List.



PRINTED CIRCUIT BOARDS
VCR (INSERTED PARTS)
SOLDER SIDE

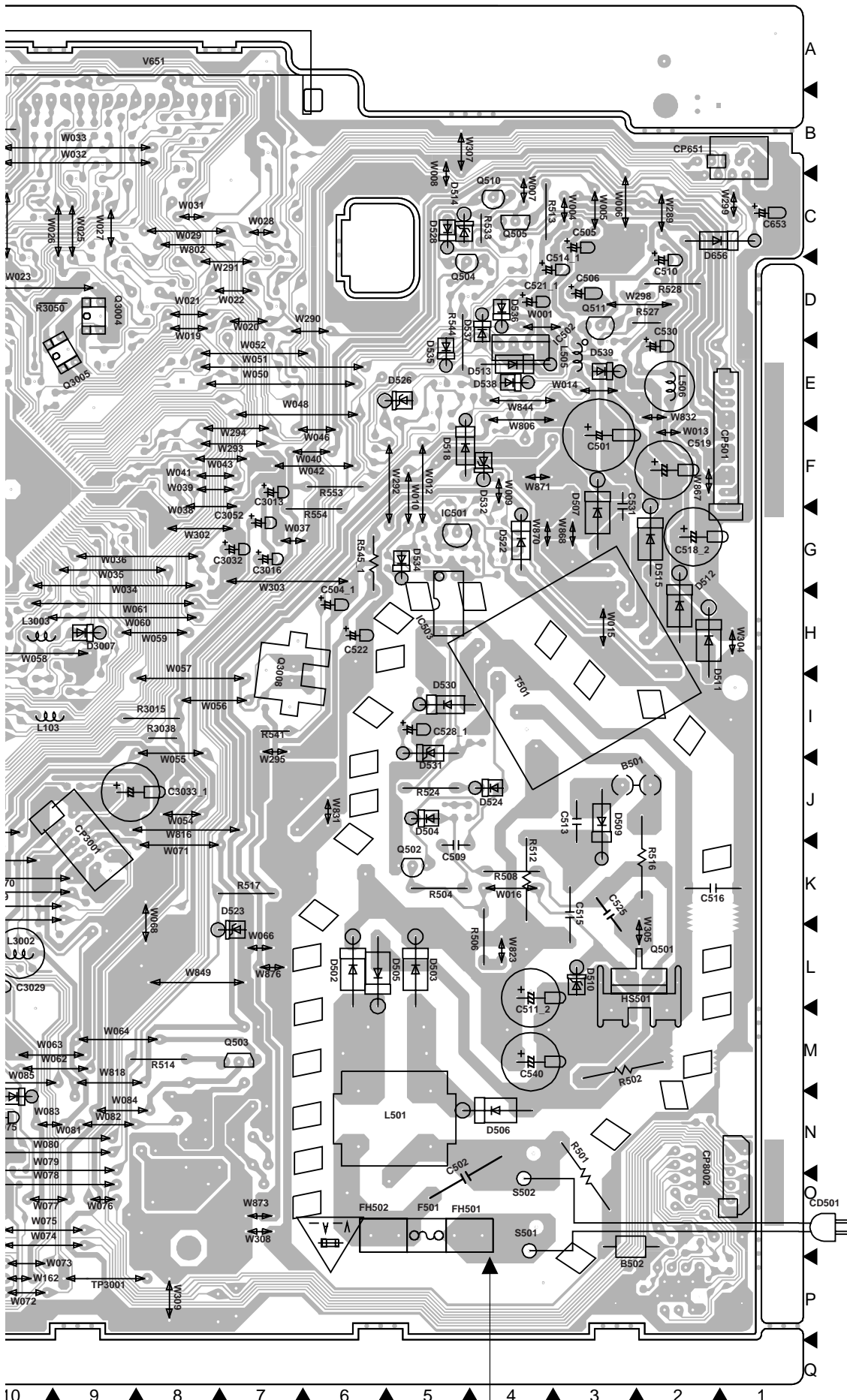




CAUTION :
FOR CONTINUED PROTECTION AGAINST FIRE HAZARD, REPLACE ONLY WITH SAME TYPE AND RATED FUSE(S).
ATTENTION :
REPLACER PAR DES FUSIBLE DE MEME TYPE.

COMPONENT PARTS LOCALIZATION

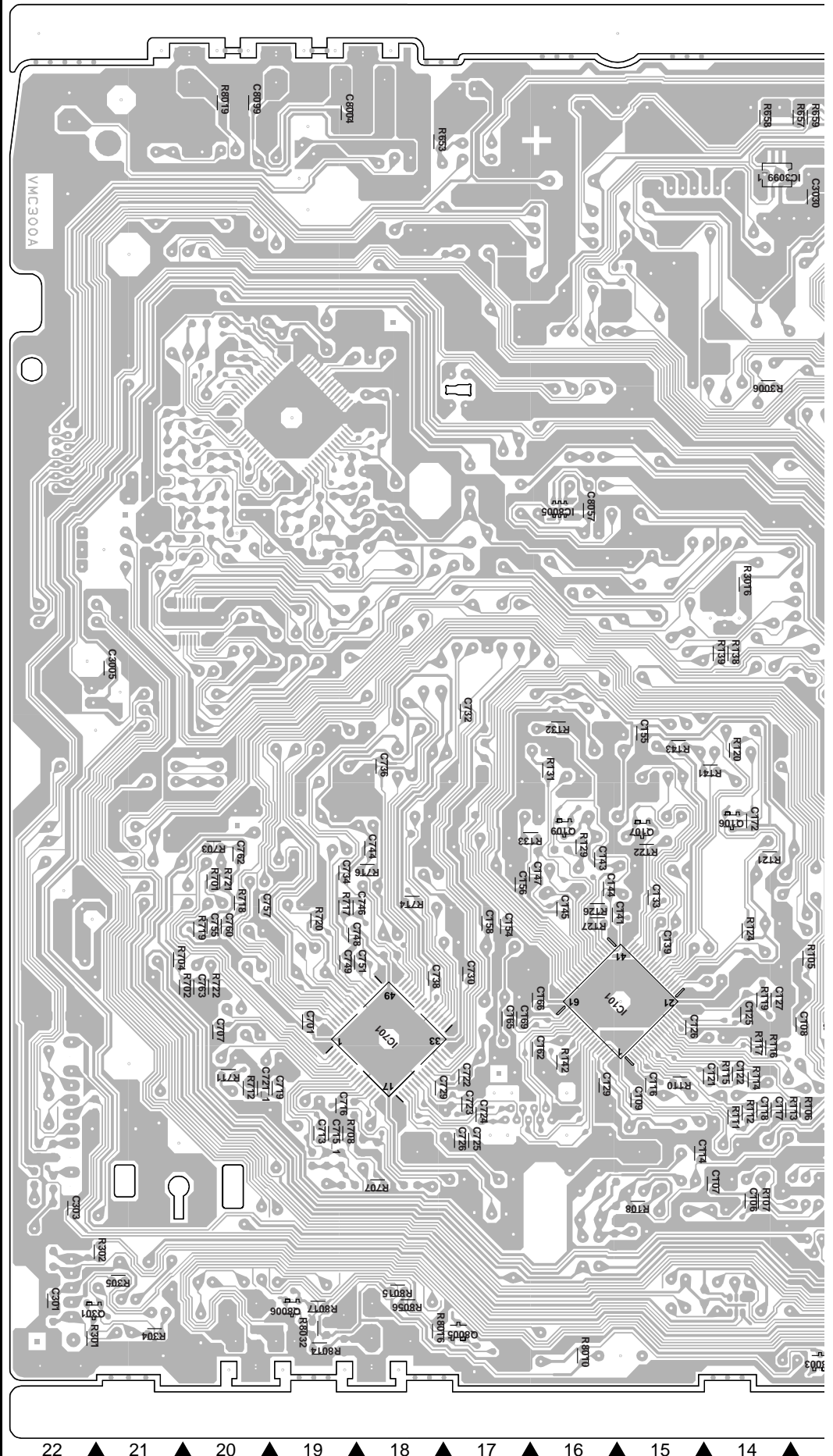
| REF.NO. | LOCATION | REF.NO. | LOCATION |
|------------------|----------|------------------|----------|
| CAPACITOR | | | |
| C101_1 | 13N | C727 | 17N |
| C103 | 15M | C728 | 17N |
| C104 | 14N | C729 | 18M |
| C105 | 15M | C730 | 17L |
| C106 | 14N | C731 | 18K |
| C107 | 14N | C732 | 17I |
| C108 | 13L | C733 | 19K |
| C109 | 15M | C734 | 18I |
| C110 | 15N | C735 | 18K |
| C112 | 15O | C736 | 18I |
| C114 | 15N | C737 | 18I |
| C115 | 14N | C738 | 18L |
| C116 | 15M | C739 | 18I |
| C117 | 14M | C740 | 18J |
| C118 | 14M | C741 | 18K |
| C119 | 14M | C742 | 18K |
| C120 | 13N | C743 | 18J |
| C121 | 14M | C744 | 18J |
| C122 | 14M | C745 | 18K |
| C123 | 13M | C746 | 18K |
| C124 | 14L | C747 | 19J |
| C125 | 14L | C748 | 19K |
| C126 | 15L | C749 | 18L |
| C127 | 14L | C750 | 19K |
| C129 | 16M | C751 | 18L |
| C131 | 14K | C752 | 19J |
| C132 | 14L | C753 | 19J |
| C133 | 15K | C754 | 20K |
| C134 | 15J | C755 | 20K |
| C135 | 15J | C756 | 20K |
| C136 | 15K | C757 | 20K |
| C137 | 15J | C758 | 20J |
| C138 | 15K | C759 | 20L |
| C139 | 15K | C760 | 10H |
| C140 | 15J | C761 | 12F |
| C141 | 16K | C762 | 11H |
| C142 | 15J | C763 | 21H |
| C143 | 16J | C764 | 6I |
| C144 | 16K | C765 | 11H |
| C145 | 16K | C766 | 9L |
| C146 | 16J | C767 | 11F |
| C147 | 16K | C768 | 11I |
| C148 | 16J | C769 | 7F |
| C151 | 17J | C770 | 12C |
| C152 | 17J | C771 | 10H |
| C154 | 17K | C772 | 7G |
| C155 | 15J | C773 | 9G |
| C156 | 17K | C774 | 10H |
| C158 | 17K | C775 | 10H |
| C159 | 10I | C776 | 10K |
| C162 | 16M | C777 | 12E |
| C163 | 17L | C778 | 8G |
| C165 | 17L | C779 | 13C |
| C166 | 16L | C780 | 12F |
| C169 | 17L | C781 | 12F |
| C172 | 14J | C782 | 10I |
| C174 | 13M | C783 | 10L |
| C301 | 22O | C784 | 13C |
| C303 | 22N | C785 | 10I |
| C304 | 22N | C786 | 7G |
| C309 | 21O | C787 | 9J |
| C313 | 15P | C788 | 9H |
| C315 | 21P | C789 | 8F |
| C318 | 21P | C790 | 9I |
| C501 | 3F | C791 | 8J |
| C502 | 4N | C792 | 10K |
| C504_1 | 6H | C793 | 9H |
| C505 | 3C | C794 | 12E |
| C506 | 3D | C795 | 9H |
| C507 | 4E | C796 | 12F |
| C508 | 4I | C797 | 7G |
| C509 | 5K | C798 | 12G |
| C510 | 2D | C799 | 10E |
| C511_2 | 4L | C800 | 9G |
| C512 | 3C | C801 | 19B |
| C513 | 3J | C802 | 13P |
| C514_1 | 4D | C803 | 12P |
| C515 | 3K | C804 | 14P |
| C516 | 1K | C805 | 20B |
| C517 | 4C | C806 | 16F |
| C518_2 | 2G | C807 | 16F |
| C519 | 2F | C808 | 16G |
| C521_1 | 4D | C809 | 16F |
| C522 | 6H | C810 | 10N |
| C524 | 5G | C811 | 20B |
| C525 | 3K | CONNECTOR | |
| C527 | 5I | CP101 | 16M |
| C528_1 | 5I | CP102 | 13O |
| C530 | 2E | CP103 | 22K |
| C531 | 3F | CP501 | 1F |
| C534 | 4D | CP651 | 1B |
| C540 | 4M | CP3001 | 9J |
| C541 | 4F | CP8002 | 1O |
| C652 | 11B | DIODE | |
| C653 | 1C | D502 | 6L |
| C701 | 19L | D503 | 5L |
| C702 | 20L | D504 | 5J |
| C703 | 20K | D505 | 6M |
| C704 | 20J | D506 | 5N |
| C705 | 20L | D507 | 3F |
| C706 | 20L | D509 | 3K |
| C707 | 20L | D510 | 3L |
| C708_1 | 20L | D511 | 2H |
| C709 | 20M | D512 | 2G |
| C711 | 20M | D513 | 4E |
| C713 | 19M | D514 | 5C |
| C714 | 19M | D515 | 2G |
| C715_1 | 19M | D516 | 5E |
| C716 | 19M | D517 | 4G |
| C719 | 19M | D518 | 5E |
| C720 | 17N | D519 | 4G |
| C721_1 | 20M | D520 | 8L |
| C722 | 17M | D521 | 4J |
| C723 | 17M | D522 | 6E |
| C724 | 17M | D523 | 5C |
| C725 | 17N | D524 | 5I |
| C726 | 17N | D525 | 5I |



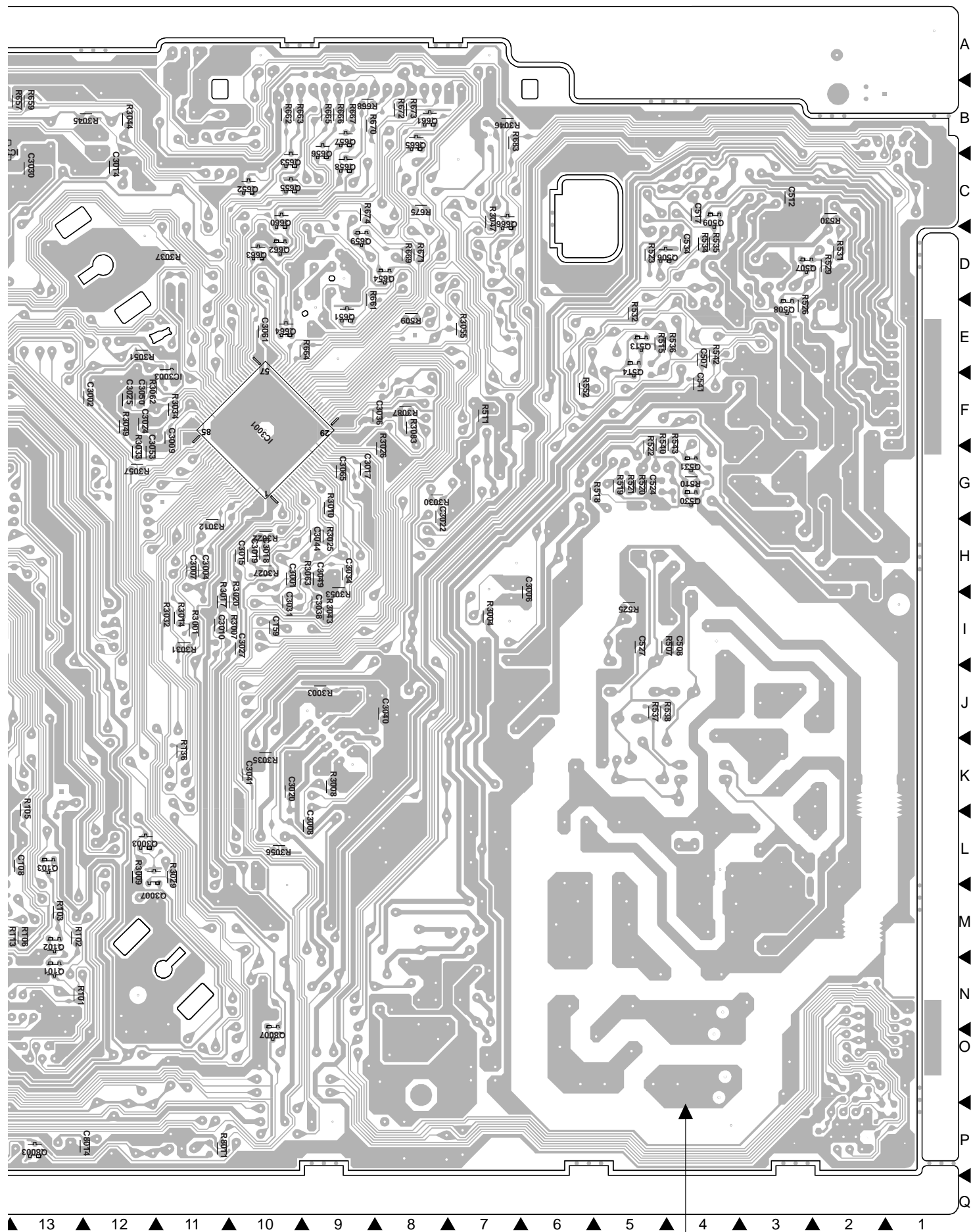
DANGEROUS VOLTAGE

LOCATION GUIDE <VCR> VMC300A

| REF.NO. | LOCATION | REF.NO. | LOCATION | REF.NO. | LOCATION |
|-------------------|----------|---------|----------|-------------------|----------|
| D532 | 4F | R113 | 14M | R3008 | 9K |
| D534 | 5G | R114 | 14M | R3009 | 12L |
| D535 | 5E | R115 | 14M | R3010 | 9G |
| D536 | 4D | R116 | 14M | R3011 | 17D |
| D537 | 4E | R117 | 14M | R3012 | 11H |
| D538 | 4E | R119 | 14L | R3014 | 11H |
| D539 | 3E | R120 | 14J | R3015 | 8I |
| D651 | 17A | R121 | 14J | R3016 | 14G |
| D656 | 1C | R122 | 15J | R3017 | 11I |
| D701 | 14H | R123 | 15J | R3019 | 16D |
| D702 | 16O | R124 | 14K | R3020 | 10I |
| D3001 | 14H | R126 | 16K | R3022 | 10H |
| D3007 | 9H | R127 | 16K | R3025 | 9H |
| D3009 | 12E | R129 | 16J | R3026 | 8G |
| D8002 | 21B | R131 | 16I | R3027 | 10H |
| D8003 | 12P | R132 | 16I | R3028 | 15C |
| D8008 | 10N | R133 | 17J | R3029 | 11L |
| | | R136 | 11K | R3030 | 8G |
| | | R137 | 15H | R3031 | 11I |
| FUSE | | R138 | 14H | R3032 | 11I |
| F501 | 5O | R139 | 14H | R3033 | 12G |
| | | R140 | 12L | R3034 | 11F |
| IC | | R141 | 14I | R3035 | 10K |
| IC101 | 15L | R142 | 16M | R3037 | 11D |
| IC501 | 5G | R143 | 15I | R3038 | 8I |
| IC502 | 4E | R301 | 22P | R3043 | 9I |
| IC503 | 5G | R302 | 21O | R3044 | 12B |
| IC701 | 18L | R303 | 22N | R3045 | 12B |
| IC3001 | 10F | R304 | 21P | R3046 | 7B |
| IC3003 | 11F | R305 | 21O | R3047 | 7C |
| IC3099 | 14B | R501 | 3N | R3049 | 12F |
| IC8005 | 16F | R502 | 2M | R3050 | 9D |
| | | R504 | 5K | R3051 | 12E |
| COIL | | L101 | 13N | R506 | 4K |
| L101 | 13N | L102 | 15N | R507 | 5I |
| L102 | 15N | L103 | 9I | R508 | 4K |
| L103 | 9I | L105_1 | 16J | R509 | 8E |
| L105_1 | 16J | L106_1 | 15I | R510 | 4G |
| L106_1 | 15I | L107 | 17K | R511 | 7F |
| L107 | 17K | L301 | 21O | R512 | 4J |
| L301 | 21O | L501 | 6N | R513 | 4C |
| L501 | 6N | L505 | 3E | R514 | 8M |
| L505 | 3E | L506 | 2E | R515 | 5E |
| L506 | 2E | L701_1 | 18H | R516 | 2J |
| L701_1 | 18H | L702_1 | 18I | R517 | 7K |
| L702_1 | 18I | L703 | 19J | R518 | 5G |
| L703 | 19J | L704 | 17L | R519 | 5G |
| L704 | 17L | L3002 | 10L | R520 | 5G |
| L3002 | 10L | L3003 | 9H | R521 | 5G |
| L3003 | 9H | L8004 | 17F | R522 | 5G |
| L8004 | 17F | | | R523 | 5D |
| | | | | R524 | 5J |
| TRANSISTOR | | R525 | 5I | | |
| Q101 | 13N | R526 | 3E | SWITCH | |
| Q102 | 13M | R527 | 2D | SW651 | 12B |
| Q103 | 13L | R528 | 2D | SW652 | 22B |
| Q104 | 14N | R529 | 2D | SW653 | 14B |
| Q105 | 15N | R530 | 2C | SW654 | 15B |
| Q106 | 14J | R531 | 2D | SW655 | 16B |
| Q107 | 15J | R532 | 5E | SW3001 | 19C |
| Q109 | 16J | | | | |
| Q301 | 22P | | | | |
| Q501 | 3L | | | TEST POINT | |
| Q502 | 5K | | | TP101 | 21G |
| Q503 | 7M | | | TP701 | 21G |
| Q504 | 4D | | | TP3001 | 8P |
| Q505 | 4C | | | TP3002 | 21G |
| Q506 | 5D | | | TP8001 | 15P |
| Q507 | 3D | | | | |
| Q508 | 3E | | | OTHER | |
| Q509 | 4C | | | B502 | 2O |
| Q510 | 4C | | | CD501 | 1O |
| Q511 | 3D | | | FH501 | 5O |
| Q513 | 5E | | | FH502 | 6O |
| Q514 | 5E | | | HS501 | 3L |
| Q530 | 4G | | | J8001 | 18P |
| Q531 | 4C | | | J8003 | 20A |
| Q651 | 9E | | | J8004 | 19A |
| Q652 | 10C | | | J8005 | 18A |
| Q653 | 10C | | | JG3002 | 15C |
| Q654 | 8D | | | JG3003 | 15C |
| Q655 | 10C | | | JG3004 | 14D |
| Q656 | 9B | | | JG3005 | 16D |
| Q657 | 9B | | | JG3006 | 12F |
| Q658 | 9C | | | JG3007 | 14E |
| Q659 | 9D | | | JG3008 | 11A |
| Q660 | 10C | | | OS651 | 14D |
| Q661 | 8B | | | S501 | 4O |
| Q662 | 10D | | | S502 | 4O |
| Q663 | 10D | | | T501 | 4I |
| Q664 | 10E | | | UT301 | 22P |
| Q665 | 8B | | | V651 | 10B |
| Q666 | 7C | | | X101 | 16K |
| Q3001 | 17E | | | X3001 | 12F |
| Q3002 | 12E | | | | |
| Q3003 | 12L | | | | |
| Q3004 | 9D | | | | |
| Q3005 | 10E | | | | |
| Q3006 | 22H | | | | |
| Q3007 | 12L | | | | |
| Q3008 | 7I | | | | |
| Q8003 | 13P | | | | |
| Q8004 | 11P | | | | |
| Q8005 | 17P | | | | |
| Q8006 | 19P | | | | |
| Q8007 | 10O | | | | |
| | | | | | |
| RESISTOR | | | | | |
| R101 | 13N | | | | |
| R102 | 13M | | | | |
| R103 | 13M | | | | |
| R105 | 13L | | | | |
| R106 | 13M | | | | |
| R107 | 14N | | | | |
| R108 | 15N | | | | |
| R109 | 15M | | | | |
| R110 | 15M | | | | |
| R111 | 14M | | | | |
| R112 | 14M | | | | |

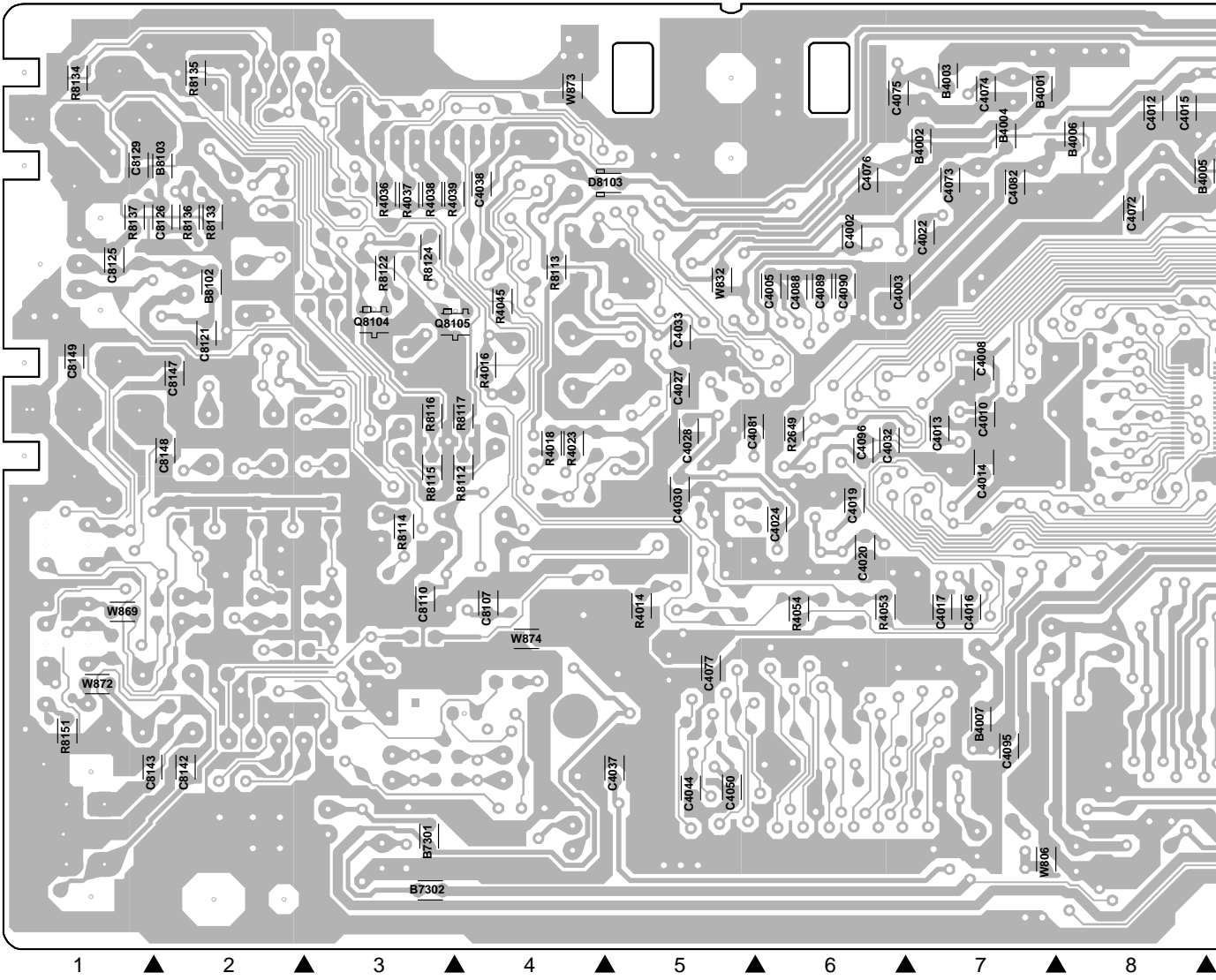


PRINTED CIRCUIT BOARDS
PCB (CHIP MOUNTED PARTS)
SOLDER SIDE



DANGEROUS VOLTAGE

PRINTED CIRCUIT BOARDS DVD (BOTTOM SIDE)





JVC SERVICE & ENGINEERING COMPANY OF AMERICA
DIVISION OF JVC AMERICAS CORP.

www.jvcservice.com(US Only)

JVC CANADA INC.

Head office : 21 Finchdene Square Scarborough, Ontario M1X 1A7

(416)293-1311

JVC[®]

SECTION 3 PARTS LIST

3.1 EXPLODED VIEW SAFETY PRECAUTION

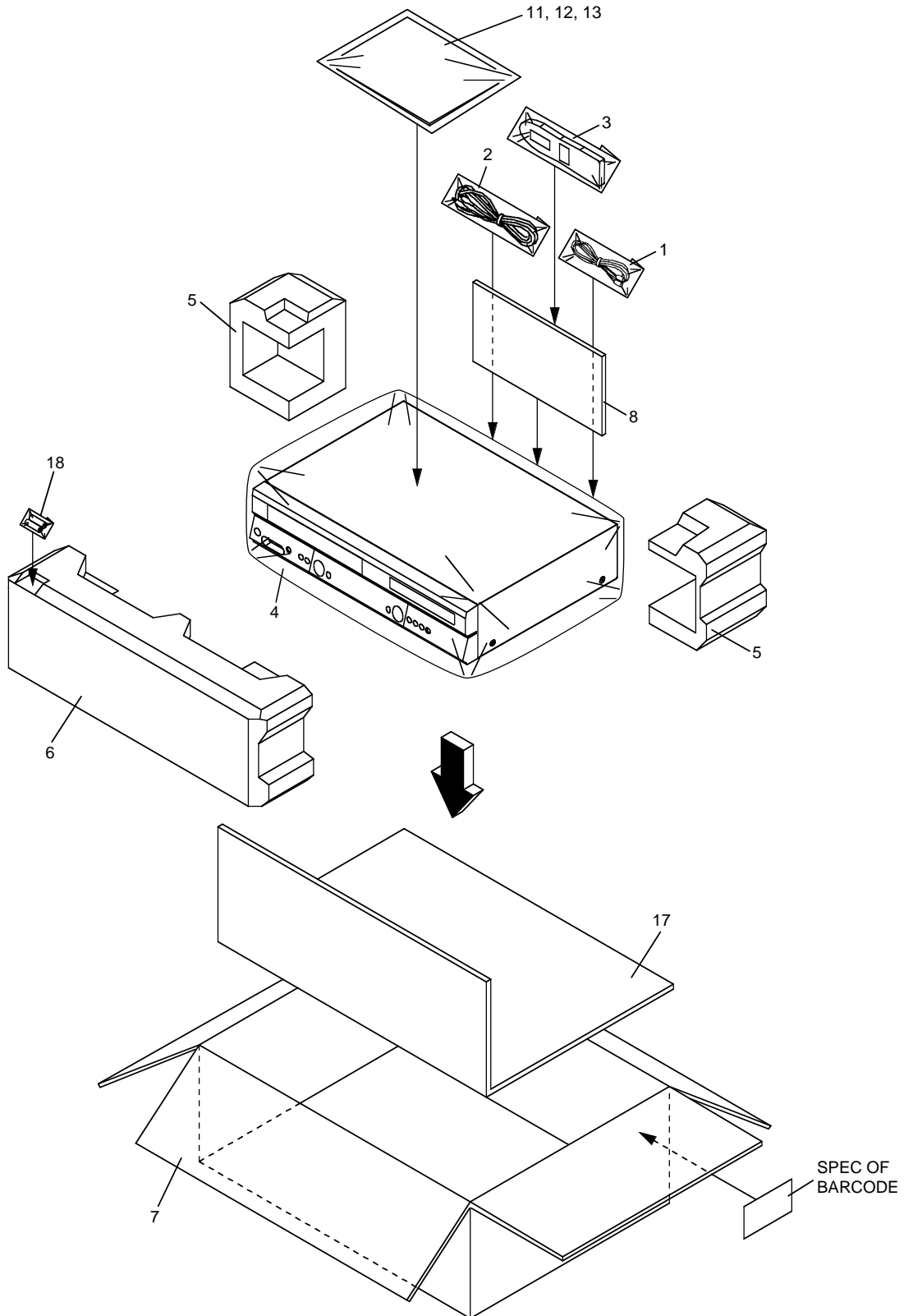
Parts identified by the  symbol are critical for safety. Replace only with specified part numbers.

BEWARE OF BOGUS PARTS

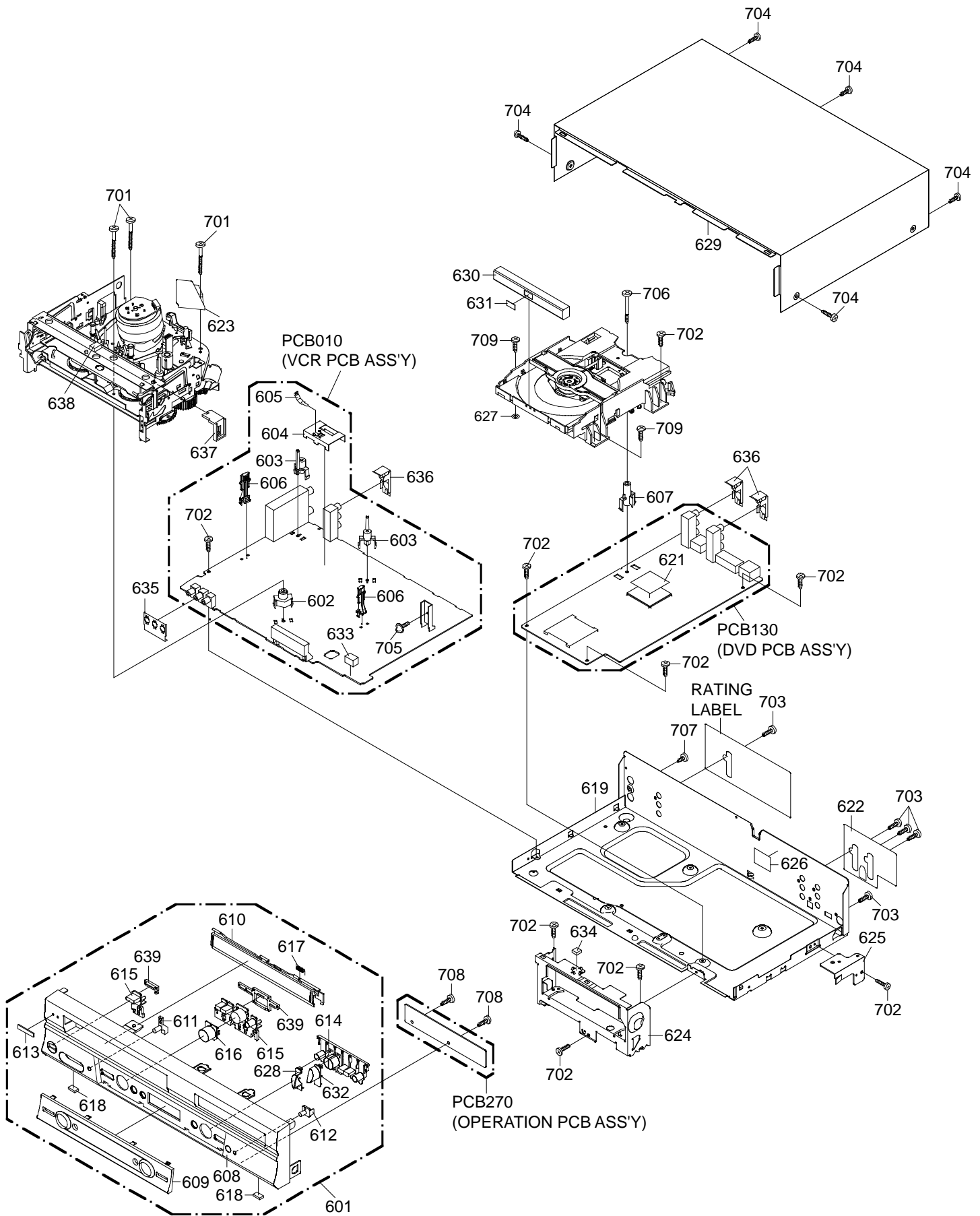
Parts that do not meet specifications may cause trouble in regard to safety and performance. We recommend that genuine JVC parts be used.

3.1.1 PACKING AND ACCESSORY ASSEMBLY <M1>

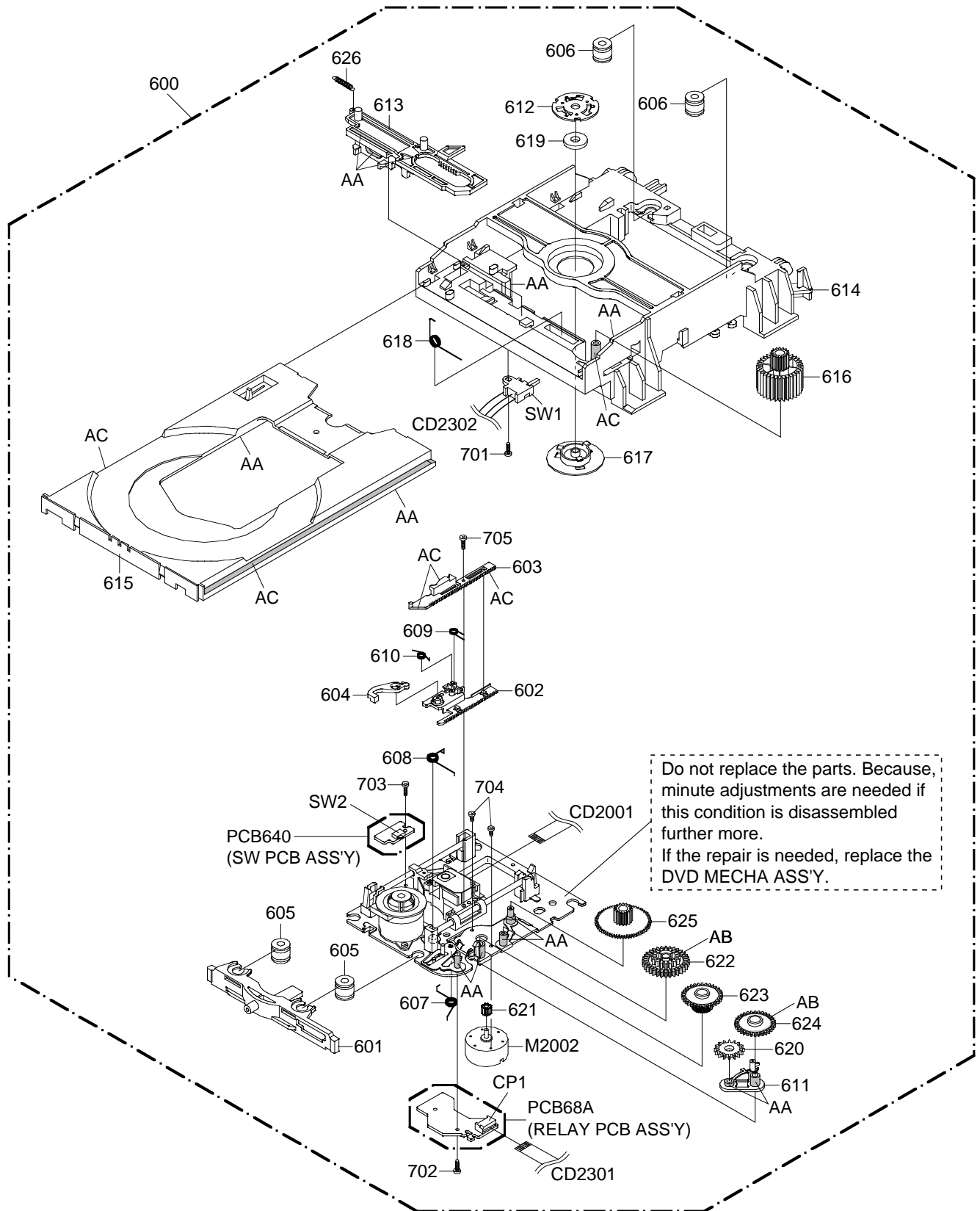
The instruction manual to be provided with this product will differ according to the destination.



3.1.2 FINAL ASSEMBLY <M2>



3.1.3 MECHANISM ASSEMBLY(DVD) <MN>

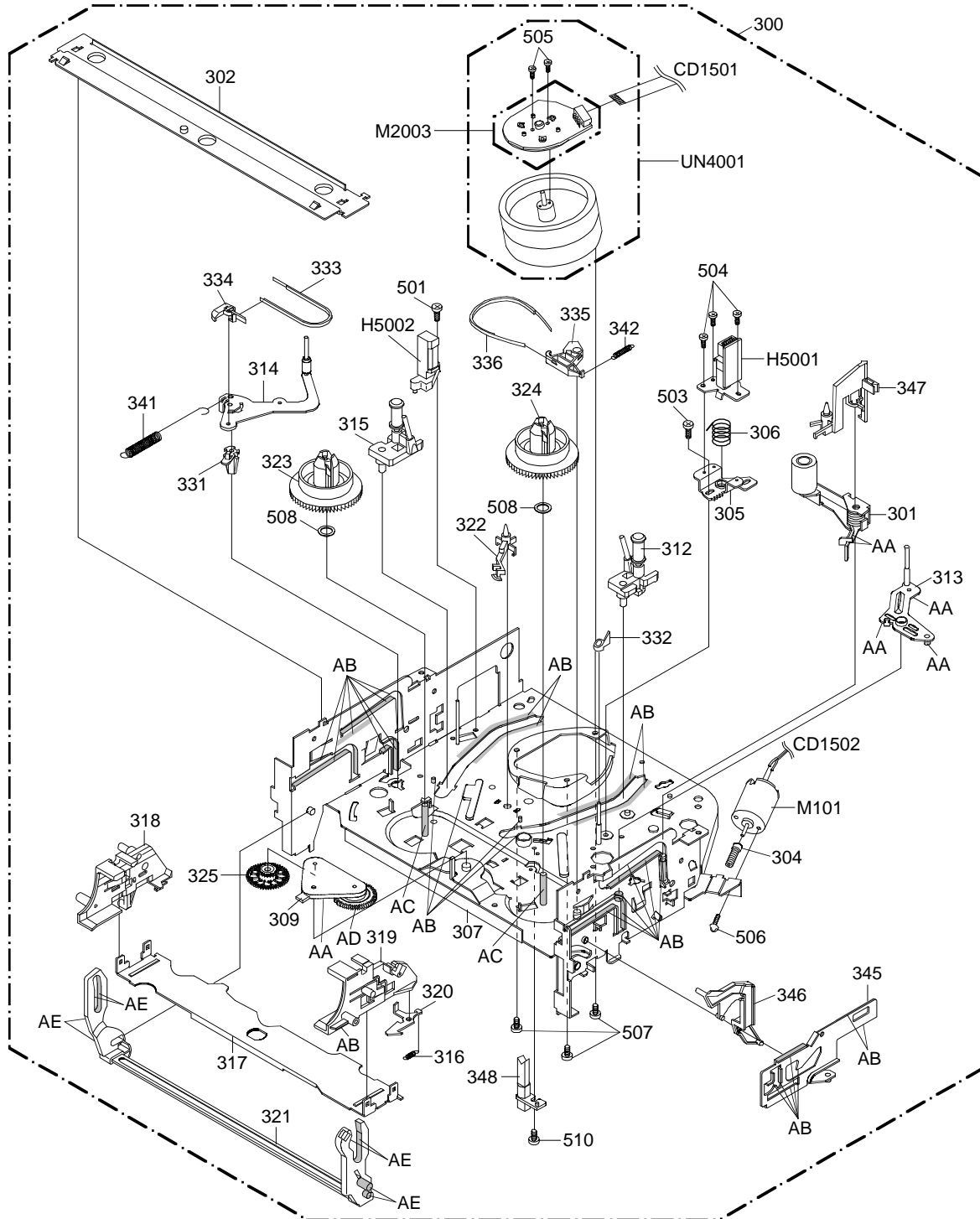


| CLASS | PART NO. | PART NAME | MARK |
|--------|--------------|-----------|------|
| GREASE | X-Y315061000 | G-555G | AA |
| | X-Y315121000 | G-337F | AB |
| | X-Y315131000 | SF-112 | AC |

NOTE: Applying positions AA, AB and AC for the grease are displayed for this section. Check if the correct grease is applied for each position.

3.1.4 MECHANISM ASSEMBLY(VCR) <M4>

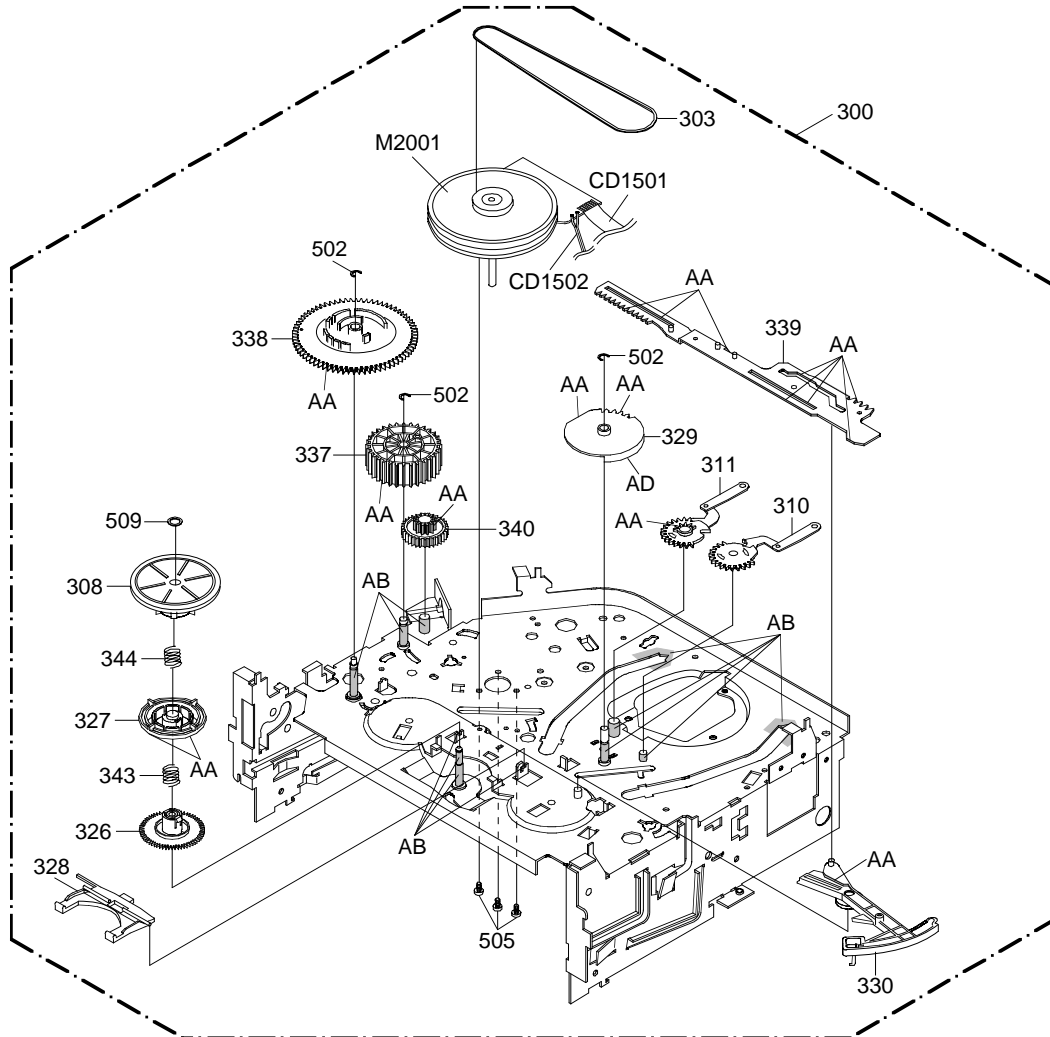
[TOP VIEW]



| CLASS | PART NO. | MARK |
|--------|----------|------|
| GREASE | G-555G | AA |
| | MG-33 | AB |
| | FG-84M | AC |
| | FL-721 | AD |
| | G-313Y | AE |

NOTE: Applying positions AA, AB, AC, AD and AE for the grease are displayed for this section. Check if the correct grease is applied for each position.

[BOTTOM VIEW]



| CLASS | PART NO. | MARK |
|--------|----------|------|
| GREASE | G-555G | AA |
| | MG-33 | AB |
| | FG-84M | AC |
| | FL-721 | AD |
| | G-313Y | AE |

NOTE: Applying positions AA, AB, AC, AD and AE for the grease are displayed for this section. Check if the correct grease is applied for each position.

3.2 PARTS LIST

| # | △ REF No. | PART No. | PART NAME, DESCRIPTION |
|---|-----------|--------------|----------------------------------|
| ***** | | | |
| PACKING AND ACCESSORY ASSEMBLY<M1> | | | |
| 1 | | QAM0501-002 | RF CABLE |
| 2 | | QAM0498-001 | CABLE ASSY(AUDIO/VIDEO) |
| 3 | | X-076D0GA020 | TRANSMITTER LP21036-027A |
| 4 | | X-791WHA0100 | GIFT SHEET |
| 5 | | X-792WHA0475 | PACKAGE,BACK |
| 6 | | X-792WHA0489 | PACKAGE,FRONT |
| 7 | | X-793WCD1454 | GIFT BOX |
| 8 | | X-795WCA0662 | PAD,DVD/VR 155x250 |
| 11 | | X-JB5UD200 | POLYBAG,INSTRUCTION(RED CAUTION) |
| 12 | | X-J2C50101A | INSTRUCTION BOOK |
| 13 | | X-J2B00317 | REGISTRATION CARD |
| 17 | | X-795WCA0671 | PAD,L |
| 18 | | ——— | BATTERY,MANGAN R6P(AR)XICI |

FINAL ASSEMBLY<M2>

| | | | |
|-----|--|--------------|--------------------------|
| 601 | | X-A2C501X720 | CABINET,FRONT ASSY |
| 602 | | X-701WPA0686 | HOLDER,DECK |
| 603 | | X-701WPA0751 | HOLDER,DECK |
| 604 | | X-752WSA0230 | SHIELD,CASE HEAD AMP |
| 605 | | X-753WUAA006 | SPRING,EARTH HEAD AMP |
| 606 | | X-85OP700038 | HOLDER,END SENSOR |
| 607 | | X-761WPA0282 | HOLDER,DVD |
| 608 | | X-701WPJ1189 | CABINET,FRONT |
| 609 | | X-711WPD0635 | PLATE,DISPLAY |
| 610 | | X-712WPJ0805 | FLAP |
| 611 | | X-713WPA0268 | GLASS,LED-VCR |
| 612 | | X-713WPA0269 | GLASS,LED-DVD |
| 613 | | X-7235380012 | BADGE,BRAND |
| 614 | | X-735WPJ0232 | BUTTON,FRAME-DVD |
| 615 | | X-735WPJ0233 | BUTTON,FRAME-VCR |
| 616 | | X-735WPD0760 | BUTTON,VCR/DVD |
| 617 | | X-743WKA0042 | SPRING,FLAP |
| 618 | | X-800WFA0051 | CUSHION,LEG |
| 619 | | X-702WSA0183 | PLATE,BOTTOM |
| 621 | | X-7232020748 | SHEET,IC |
| 622 | | X-7230007673 | SHEET,JACK |
| 623 | | X-752WSA0275 | COVER,AC HEAD |
| 624 | | X-761WSA0101 | ANGLE,FRONT |
| 625 | | X-761WSA0125 | ANGLE,DVD |
| 626 | | X-7260000341 | SHEET,CAUTION |
| 627 | | X-800WB00004 | FIBER WASHER 7x3.2xT0.5 |
| 628 | | X-735WPD0761 | BUTTON,STOP |
| 629 | | X-702WSB0083 | CABINET,TOP |
| 630 | | X-712WPBA054 | PLATE,TRAY-FRONT |
| 631 | | X-7235630001 | SHEET,DVD |
| 632 | | X-735WPD0762 | BUTTON,PLAY |
| 633 | | X-800WFA0046 | CUSHION |
| 634 | | X-8965TS1010 | CUSHION 65TS10-10H L10 |
| 635 | | X-752WUAA001 | SHIELD,3PIN |
| 636 | | X-752WSA0290 | SHIELD,COMPO |
| 637 | | X-761WPA0262 | HOLDER,DECK TOP |
| 638 | | X-8965TS1017 | CUSHION 65TS10-10H L17.5 |
| 639 | | X-738WPA0070 | STOPPER,BUTTON |

| # | △ REF No. | PART No. | PART NAME, DESCRIPTION |
|--------|-----------|--------------|---------------------------------------|
| 701 | | X-8109130B94 | SCREW,TAP TITE(B) R PAN 3x29 |
| 702 | | X-8109230704 | SCREW,TAP TITE(B) R BIND 3x7 |
| 703 | | X-8109230804 | SCREW,TAP TITE(B) BIND 3x8 |
| 704 | | X-8107K30602 | SCREW,TAP TITE(S) BIND(3D) 3x6 |
| 705 | | X-8109130A04 | SCREW,TAP TITE(B) WH7 3x10 |
| 706 | | X-8154730414 | SCREW,TAP TITE(B) M3x41R |
| 707 | | X-8107130404 | SCREW,TAP TITE(S) PAN 3x4 |
| 708 | | X-8110226804 | SCREW,TAP TITE(P) BIND 2.6x8 |
| 709 | | X-8102230804 | SCREW,BIND M3x8 |
| CD102 | | X-122H061504 | CORD,VCR CP102 – A/C HEAD 2H061504 |
| CD8002 | | X-122F080601 | CORD,VCR CP8002 – DVD CP8102 2F080601 |

MECHANISM ASSEMBLY(VCR)<M4>

| | | | |
|-----|--|---------------|-------------------------|
| 300 | | X-A2C301N420K | DECK ASSY A2C301N420K |
| 301 | | X-85OA400234 | PINCH ROLLER BLOCK |
| 302 | | X-85OP900746 | BRACKET,TOP 3V |
| 303 | | X-85OP200290 | BELT,CAPSTAN (S) |
| 304 | | X-85OP600581 | WORM |
| 305 | | X-85OP500083 | BASE,AC HEAD |
| 306 | | X-85OP800324 | SPRING,AC HEAD |
| 307 | | X-85OA000459 | MAIN CHASSIS ASS'Y |
| 308 | | X-85OA200089 | CLUTCH ASS'Y |
| 309 | | X-85OA200090 | ARM IDLER ASS'Y |
| 310 | | X-85OA300065 | LOADING ARM S UNIT |
| 311 | | X-85OA300066 | LOADING ARM T UNIT |
| 312 | | X-85OA400223 | INCLINED BASE T UNIT 3S |
| 313 | | X-85OA400232 | P5 ARM ASS'Y 2 |
| 314 | | X-85OA400235 | TENSION ARM ASS'Y 2 |
| 315 | | X-85OA400231 | INCLINED BASE S UNIT |
| 316 | | X-85OP800367 | SPRING LOCKER |
| 317 | | X-85OP900736 | CASS,HOLDER |
| 318 | | X-85OP900748 | CASS,SIDE L |
| 319 | | X-85OP900749 | CASS,SIDE R |
| 320 | | X-85OP900739 | LOCKER,R |
| 321 | | X-85OA900228 | LINK UNIT |
| 322 | | X-85OP000496 | POST,CASS GUIDE |
| 323 | | X-85OP200316 | REEL,S (S) |
| 324 | | X-85OP200317 | REEL,T (S) |
| 325 | | X-85OP200308 | GEAR,IDLER |
| 326 | | X-85OP200311 | GEAR,CLUTCH |
| 327 | | X-85OP200312 | GEAR,COUPLING |
| 328 | | X-85OP200313 | LEVER,CLUTCH |
| 329 | | X-85OP300194 | GEAR,MAIN LOADING |
| 330 | | X-85OP400490 | LEVER,TENSION |
| 331 | | X-85OP400492 | HOLDER,TENSION |
| 332 | | X-85OP400520 | CAP.P4 |
| 333 | | X-85OP400542 | BAND,TENSION |
| 334 | | X-85OP400533 | CONNECT,TENSION |
| 335 | | X-85OP600573 | ARM,BRAKE T |
| 336 | | X-85OP600584 | BAND,BRAKE T |
| 337 | | X-85OP600577 | CAM,PINCH ROLLER |
| 338 | | X-85OP600578 | CAM,MAIN |
| 339 | | X-85OP600579 | ROD,MAIN |
| 340 | | X-85OP600582 | GEAR,JOINT |
| 341 | | X-85OP800322 | SPRING,TENSION |
| 342 | | X-85OP800360 | SPRING,BRAKE T |
| 343 | | X-85OP800355 | SPRING,COUPLING |

| # | △ REF No. | PART No. | PART NAME, DESCRIPTION | |
|----------|-----------|--------------|------------------------|------------------|
| 344 | | X-85OP800356 | SPRING,RING | |
| 345 | | X-85OP900750 | LEVER,LINK 2 | |
| 346 | | X-85OP900744 | LEVER,FLAP | |
| 347 | | X-85OP900745 | CASS,OPENER | |
| 348 | | X-85OP700035 | REFLECTOR,LED | |
| 501 | | X-8107226804 | SCREW,TAP TITE(S) BIND | 2.6x8 |
| 502 | | X-83ETW30000 | E-RING | 3.0 |
| 503 | | X-8107226404 | SCREW,TAP TITE(S) BIND | 2.6x4 |
| 504 | | X-8102120604 | SCREW,PAN | M2x6 |
| 505 | | X-8109126604 | SCREW,TAP TITE(B) PAN | 2.6x6 |
| 506 | | X-810A130404 | SCREW/WASHER(A) | M3x4 |
| 507 | | X-810A126504 | SCREW/WASHER(A) | M2.6x5 |
| 508 | | X-82Q264713N | POLYSLIDER WASHER | 2.6x4.7xT0.13 |
| 509 | | X-82P184505N | POLYSLIDER WASHER(CUT) | 1.8x4.5xT0.5 |
| 510 | | X-8107226604 | SCREW,TAP TITE(S) BIND | 2.6x6 |
| CD1501 | | X-122H071704 | CORD JUMPER | 2H071704 |
| CD1502 | | X-122Y021902 | CORD JUMPER | 2Y021902 |
| H5001 | | X-1523Q91003 | HEAD (AUDIO CONTROL) | VTR-1X2RPE22-756 |
| H5002 | | X-1543Q02014 | HEAD (FULL ERASE)VTR | -1X2ERS11-154 |
| △ M101 | | X-1596P98001 | MOTOR (LOADING) | MXN13FB12K3 |
| △ M2001 | | X-1510S98038 | CAPSTAN DD UNIT | F2QVB33 |
| M2003 | | X-1589S11017 | MICRO MOTOR | I2OAL05 |
| △ UN4001 | | X-A2C301N500 | CYLINDER UNIT ASS'Y | A2C301N500 |

MECHANISM ASSEMBLY(DVD)<MN>

| | | | | |
|-----|--|--------------|------------------------|------------|
| 600 | | X-A2C512K650 | DVD MECHA ASSY | A2C512K650 |
| 601 | | X-92P100022A | TRAVERSE HOLDER | |
| 602 | | X-92P100032A | RACK,FEED 1 | |
| 603 | | X-92P100033A | RACK,FEED 2 | |
| 604 | | X-92P100035A | LEVER,RACK FEED | |
| 605 | | X-92P200006A | INSULATOR(F) | |
| 606 | | X-92P200007A | INSULATOR(R) | |
| 607 | | X-92P300008A | SPRING,CHASSIS | |
| 608 | | X-92P300005A | SPRING,ARM IDLER | |
| 609 | | X-92P300006A | SPRING,RACK FEED 2 | |
| 610 | | X-92P300007A | SPRING,RACK FEED 1 | |
| 611 | | X-92P100031A | ARM,IDLER | |
| 612 | | X-92P000001A | CLAMPER PLATE | |
| 613 | | X-92P100019A | RACK,LOADING | |
| 614 | | X-92P100020A | MAIN FRAME M | |
| 615 | | X-92P100021A | TRAY | |
| 616 | | X-92P100023A | GEAR,MAIN | |
| 617 | | X-92P100024A | CLAMPER | |
| 618 | | X-92P300002A | SPRING,RACK LOADING | |
| 619 | | X-92P400002A | MAGNET,CLAMPER | |
| 620 | | X-92P100030A | GEAR,IDLER | |
| 621 | | X-92P100025A | GEAR,MOTOR | |
| 622 | | X-92P100026A | GEAR,MIDDLE 1 | |
| 623 | | X-92P100027A | GEAR,MIDDLE 2 | |
| 624 | | X-92P100028A | GEAR,MIDDLE 3 | |
| 625 | | X-92P100029A | GEAR,FEED | |
| 626 | | X-92P300009A | SPRING,RACK L | |
| 701 | | X-8110226804 | SCREW,TAP TITE(P) BIND | 2.6x8 |
| 702 | | X-8110120604 | SCREW,TAP TITE(P) PAN | 2x6 |
| 703 | | X-8107220504 | SCREW,TAP TITE(S) BIND | 2x5 |

| # | △ REF No. | PART No. | PART NAME, DESCRIPTION | |
|---------|-----------|--------------|------------------------|-------------------|
| 704 | | X-8140117254 | SCREW,PAN | M1.7x2.5 P3 |
| 705 | | X-8110220804 | SCREW,TAP TITE(P) BIND | 2x8 |
| CD2001 | | X-122H001901 | CORD JUMPER | 2H001901 |
| CD2301 | | X-122H080701 | CORD JUMPER | 2H080701 |
| CD2302 | | X-06CH232101 | CORD CONNECTOR | CH232101 |
| CP1 | | X-069JV80180 | CONNECTOR PCB SIDE | IMSA-9615S-08C-PP |
| △ M2002 | | X-1515S98001 | FEED MOTOR | BCD3B81 |
| PCB640 | | X-A5E601V640 | PCB ASS'Y | VEBA17A |
| PCB68A | | X-A5E601V680 | PCB ASS'Y | VEBA12A |
| SW1 | | X-0515S32001 | SWITCH | SSS-23-6 |
| SW2 | | X-0500S01032 | PUSH LEVER SWITCH | SW1AB-271-10A |

VCR BOARD ASSEMBLY<03>

| | | | | |
|--------|--|--------------|----------------|-------------|
| PCB010 | | X-A2C501X010 | VCR BOARD ASSY | |
| R101 | | NRSA63J-561X | MG RESISTOR | 560Ω,1/16W |
| R102 | | NRSA02J-103X | MG RESISTOR | 10KΩ,1/10W |
| R103 | | NRSA02J-103X | MG RESISTOR | 10KΩ,1/10W |
| R105 | | NRSA02J-102X | MG RESISTOR | 1KΩ,1/10W |
| R106 | | NRSA02J-681X | MG RESISTOR | 680Ω,1/10W |
| R107 | | NRSA02J-332X | MG RESISTOR | 3.3KΩ,1/10W |
| R108 | | NRSA02J-223X | MG RESISTOR | 22KΩ,1/10W |
| R109 | | QRE141J-102Y | RESISTOR | 1KΩ,1/4W |
| R110 | | NRSA02J-822X | MG RESISTOR | 8.2KΩ,1/10W |
| R111 | | NRSA02J-822X | MG RESISTOR | 8.2KΩ,1/10W |
| R112 | | NRSA63J-334X | MG RESISTOR | 330KΩ,1/16W |
| R113 | | NRSA02J-221X | MG RESISTOR | 220Ω,1/10W |
| R114 | | NRSA02J-203X | MG RESISTOR | 20KΩ,1/16W |
| R115 | | NRSA02J-821X | MG RESISTOR | 820Ω,1/10W |
| R116 | | NRSA63J-153X | MG RESISTOR | 15KΩ,1/16W |
| R117 | | NRSA63J-682X | MG RESISTOR | 6.8KΩ,1/16W |
| R119 | | NRSA63J-182X | MG RESISTOR | 1.8KΩ,1/16W |
| R120 | | NRSA02J-221X | MG RESISTOR | 220Ω,1/10W |
| R121 | | NRSA02J-102X | MG RESISTOR | 1KΩ,1/10W |
| R122 | | NRSA02J-104X | MG RESISTOR | 100KΩ,1/10W |
| R123 | | QRE141J-222Y | RESISTOR | 2.2KΩ,1/4W |
| R124 | | NRSA63J-823X | MG RESISTOR | 82KΩ,1/16W |
| R126 | | NRSA63J-182X | MG RESISTOR | 1.8KΩ,1/16W |
| R127 | | NRSA02J-684X | MG RESISTOR | 680KΩ,1/16W |
| R129 | | NRSA63J-182X | MG RESISTOR | 1.8KΩ,1/16W |
| R131 | | NRSA02J-152X | MG RESISTOR | 1.5KΩ,1/10W |
| R132 | | NRSA02J-332X | MG RESISTOR | 3.3KΩ,1/10W |
| R133 | | NRSA02J-822X | MG RESISTOR | 8.2KΩ,1/10W |
| R136 | | NRSA02J-223X | MG RESISTOR | 22KΩ,1/10W |
| R137 | | QRE141J-123Y | RESISTOR | 12KΩ,1/4W |
| R138 | | NRSA02J-223X | MG RESISTOR | 22KΩ,1/10W |
| R139 | | NRSA63J-123X | MG RESISTOR | 12KΩ,1/16W |
| R140 | | QRE141J-222Y | RESISTOR | 2.2KΩ,1/4W |
| R141 | | NRSA02J-102X | MG RESISTOR | 1KΩ,1/10W |
| R142 | | NRSA02J-102X | MG RESISTOR | 1KΩ,1/10W |
| R143 | | NRSA02J-102X | MG RESISTOR | 1KΩ,1/10W |
| R301 | | NRSA63J-333X | MG RESISTOR | 33KΩ,1/16W |
| R302 | | NRSA02J-102X | MG RESISTOR | 1KΩ,1/10W |
| R304 | | NRSA02J-103X | MG RESISTOR | 10KΩ,1/10W |
| R305 | | NRSA02J-102X | MG RESISTOR | 1KΩ,1/10W |
| △ R501 | | X-R0G3K2335K | RESISTOR | 3.3MΩ,1/2W |
| △ R502 | | X-R3X181R82J | OMF RESISTOR | 0.82Ω,1W |

| # | △ REF No. | PART No. | PART NAME, DESCRIPTION | # | △ REF No. | PART No. | PART NAME, DESCRIPTION |
|---|-----------|--------------|-------------------------|---|-----------|--------------|-------------------------|
| △ | R504 | QRE121J-561Y | RESISTOR 560Ω,1/2W | | R674 | NRSA02J-181X | MG RESISTOR 180Ω,1/10W |
| | R506 | QRE121J-105Y | RESISTOR 1MΩ,1/2W | | R675 | NRSA02J-821X | MG RESISTOR 820Ω,1/10W |
| | R507 | NRSA02J-103X | MG RESISTOR 10KΩ,1/10W | | R683 | NRSA63J-561X | MG RESISTOR 560Ω,1/16W |
| | R508 | NRSA02J-101X | MG RESISTOR 100Ω,1/4W | | R701 | NRSA02J-152X | MG RESISTOR 1.5KΩ,1/10W |
| | R509 | NRSA02J-101X | MG RESISTOR 100Ω,1/10W | | R702 | NRSA02J-152X | MG RESISTOR 1.5KΩ,1/10W |
| | R510 | NRSA02J-104X | MG RESISTOR 100KΩ,1/10W | | R703 | NRSA02J-103X | MG RESISTOR 10KΩ,1/10W |
| | R511 | NRSA63J-564X | MG RESISTOR 560KΩ,1/16W | | R704 | NRSA02J-103X | MG RESISTOR 10KΩ,1/10W |
| △ | R512 | X-R3X181683J | OMF RESISTOR 68KΩ,1W | | R707 | NRSA02J-473X | MG RESISTOR 47KΩ,1/10W |
| | R513 | QRE121J-391Y | RESISTOR 390Ω,1/2W | | R708 | NRSA63J-682X | MG RESISTOR 6.8KΩ,1/16W |
| | R514 | QRE121J-221Y | RESISTOR 220Ω,1/2W | | R711 | NRSA02J-473X | MG RESISTOR 47KΩ,1/10W |
| | R515 | NRSA02J-272X | MG RESISTOR 2.7KΩ,1/10W | | R712 | NRSA63J-682X | MG RESISTOR 6.8KΩ,1/16W |
| △ | R516 | X-R63581R22J | FUSI RESISTOR 0.22Ω,1W | | R714 | NRSA63J-273X | MG RESISTOR 27KΩ,1/16W |
| △ | R517 | X-R002T2821J | RESISTOR 820Ω,1/2W | | R716 | NRSA02J-332X | MG RESISTOR 3.3KΩ,1/10W |
| | R518 | NRSA02J-151X | MG RESISTOR 150Ω,1/10W | | R717 | NRSA63J-225X | MG RESISTOR 2.2MΩ,1/16W |
| | R519 | NRSA02J-102X | MG RESISTOR 1KΩ,1/10W | | R718 | NRSA02J-102X | MG RESISTOR 1KΩ,1/10W |
| | R520 | NRSA02F-332X | MG RESISTOR 3.3KΩ,1/16W | | R719 | NRSA63J-331X | MG RESISTOR 330Ω,1/16W |
| | R521 | NRSA63J-471X | MG RESISTOR 470Ω,1/16W | | R720 | NRSA02J-332X | MG RESISTOR 3.3KΩ,1/10W |
| | R522 | NRSA02F-332X | MG RESISTOR 3.3KΩ,1/16W | | R721 | NRSA63J-153X | MG RESISTOR 15KΩ,1/16W |
| | R523 | NRSA63J-682X | MG RESISTOR 6.8KΩ,1/16W | | R722 | NRSA63J-153X | MG RESISTOR 15KΩ,1/16W |
| | R524 | NRSA02J-101X | MG RESISTOR 100Ω,1/4W | | R723 | QRE141J-471Y | RESISTOR 470Ω,1/4W |
| | R525 | NRSA02J-103X | MG RESISTOR 10KΩ,1/10W | | R3001 | NRSA02J-562X | MG RESISTOR 5.6KΩ,1/10W |
| | R526 | X-R803R9122F | MG RESISTOR 1.2KΩ,1/16W | | R3002 | QRE141J-121Y | RESISTOR 120Ω,1/4W |
| | R527 | NRSA02J-101X | MG RESISTOR 100Ω,1/4W | | R3003 | NRSA02J-332X | MG RESISTOR 3.3KΩ,1/10W |
| | R528 | QRE141J-392Y | RESISTOR 3.9KΩ,1/4W | | R3004 | NRSA02J-274X | MG RESISTOR 270KΩ,1/10W |
| | R529 | NRSA02J-222X | MG RESISTOR 2.2KΩ,1/10W | | R3006 | NRSA02J-473X | MG RESISTOR 47KΩ,1/10W |
| | R530 | NRSA63J-470X | MG RESISTOR 47Ω,1/16W | | R3007 | NRSA63J-682X | MG RESISTOR 6.8KΩ,1/16W |
| | R531 | NRSA63F-821X | MG RESISTOR 820Ω,1/16W | | R3008 | NRSA02J-102X | MG RESISTOR 1KΩ,1/10W |
| | R532 | NRSA02J-103X | MG RESISTOR 10KΩ,1/10W | | R3009 | NRSA02J-472X | MG RESISTOR 4.7KΩ,1/10W |
| | R533 | QRE141J-221Y | RESISTOR 220Ω,1/4W | | R3010 | NRSA02J-103X | MG RESISTOR 10KΩ,1/10W |
| | R534 | NRSA02J-223X | MG RESISTOR 22KΩ,1/10W | | R3011 | QRE141J-473Y | RESISTOR 47KΩ,1/4W |
| | R535 | NRSA02J-223X | MG RESISTOR 22KΩ,1/10W | | R3012 | NRSA02J-563X | MG RESISTOR 56KΩ,1/10W |
| | R536 | NRSA63J-561X | MG RESISTOR 560Ω,1/16W | | R3014 | NRSA02J-563X | MG RESISTOR 56KΩ,1/10W |
| | R537 | NRSA02J-221X | MG RESISTOR 220Ω,1/10W | | R3015 | QRE141J-473Y | RESISTOR 47KΩ,1/4W |
| | R538 | NRSA02J-221X | MG RESISTOR 220Ω,1/10W | | R3016 | NRSA02J-271X | MG RESISTOR 270Ω,1/10W |
| | R540 | NRSA63J-471X | MG RESISTOR 470Ω,1/16W | | R3017 | NRSA63J-561X | MG RESISTOR 560Ω,1/16W |
| | R541 | QRE141J-223Y | RESISTOR 22KΩ,1/4W | | R3019 | QRE141J-473Y | RESISTOR 47KΩ,1/4W |
| | R542 | NRSA02J-151X | MG RESISTOR 150Ω,1/10W | | R3020 | NRSA63J-561X | MG RESISTOR 560Ω,1/16W |
| | R543 | NRSA02J-104X | MG RESISTOR 100KΩ,1/10W | | R3022 | NRSA02J-154X | MG RESISTOR 150KΩ,1/10W |
| | R544 | QRE141J-223Y | RESISTOR 22KΩ,1/4W | | R3025 | NRSA63J-471X | MG RESISTOR 470Ω,1/16W |
| △ | R545 | X-R65584150J | R,FUSE 15Ω,1/4W | | R3026 | NRSA02J-274X | MG RESISTOR 270KΩ,1/10W |
| | R552 | NRSA02J-101X | MG RESISTOR 100Ω,1/10W | | R3027 | NRSA63J-153X | MG RESISTOR 15KΩ,1/16W |
| | R553 | QRE141J-473Y | RESISTOR 47KΩ,1/4W | | R3028 | QRE141J-473Y | RESISTOR 47KΩ,1/4W |
| | R554 | QRE141J-103Y | RESISTOR 10KΩ,1/4W | | R3029 | NRSA02J-472X | MG RESISTOR 4.7KΩ,1/10W |
| | R651 | NRSA02J-101X | MG RESISTOR 100Ω,1/4W | | R3030 | NRSA02J-562X | MG RESISTOR 5.6KΩ,1/10W |
| | R653 | NRSA63J-331X | MG RESISTOR 330Ω,1/16W | | R3031 | NRSA02J-105X | MG RESISTOR 1MΩ,1/10W |
| | R657 | NRSA02J-272X | MG RESISTOR 2.7KΩ,1/10W | | R3032 | NRSA02J-103X | MG RESISTOR 10KΩ,1/10W |
| | R658 | NRSA63J-182X | MG RESISTOR 1.8KΩ,1/16W | | R3033 | NRSA02J-103X | MG RESISTOR 10KΩ,1/10W |
| | R659 | NRSA02J-152X | MG RESISTOR 1.5KΩ,1/10W | | R3034 | NRSA02J-105X | MG RESISTOR 1MΩ,1/10W |
| | R661 | NRSA02J-821X | MG RESISTOR 820Ω,1/10W | | R3035 | NRSA02J-103X | MG RESISTOR 10KΩ,1/10W |
| | R662 | NRSA02J-181X | MG RESISTOR 180Ω,1/10W | | R3037 | NRSA02J-473X | MG RESISTOR 47KΩ,1/10W |
| | R663 | NRSA02J-181X | MG RESISTOR 180Ω,1/10W | | R3038 | QRE141J-472Y | RESISTOR 4.7KΩ,1/4W |
| | R664 | NRSA02J-821X | MG RESISTOR 820Ω,1/10W | | R3043 | NRSA02J-474X | MG RESISTOR 470KΩ,1/10W |
| | R665 | NRSA02J-181X | MG RESISTOR 180Ω,1/10W | | R3044 | NRSA02J-332X | MG RESISTOR 3.3KΩ,1/10W |
| | R666 | NRSA02J-181X | MG RESISTOR 180Ω,1/10W | | R3045 | NRSA02J-332X | MG RESISTOR 3.3KΩ,1/10W |
| | R667 | NRSA02J-181X | MG RESISTOR 180Ω,1/10W | | R3046 | NRSA02J-103X | MG RESISTOR 10KΩ,1/10W |
| | R668 | NRSA02J-181X | MG RESISTOR 180Ω,1/10W | | R3047 | NRSA02J-103X | MG RESISTOR 10KΩ,1/10W |
| | R669 | NRSA02J-821X | MG RESISTOR 820Ω,1/10W | | R3049 | NRSA02J-473X | MG RESISTOR 47KΩ,1/10W |
| | R670 | NRSA02J-181X | MG RESISTOR 180Ω,1/10W | | R3050 | NRSA02J-101X | MG RESISTOR 100Ω,1/4W |
| | R671 | NRSA02J-821X | MG RESISTOR 820Ω,1/10W | | R3051 | NRSA02J-183X | MG RESISTOR 18KΩ,1/10W |
| | R672 | NRSA02J-181X | MG RESISTOR 180Ω,1/10W | | R3053 | NRSA02J-474X | MG RESISTOR 470KΩ,1/10W |
| | R673 | NRSA02J-181X | MG RESISTOR 180Ω,1/10W | | R3055 | NRSA02J-223X | MG RESISTOR 22KΩ,1/10W |

| # | △ | REF No. | PART No. | PART NAME, DESCRIPTION | # | △ | REF No. | PART No. | PART NAME, DESCRIPTION |
|-------|---|---------|--------------|------------------------|--------|---|---------|--------------|------------------------|
| R3056 | | | NRSA02J-102X | MG RESISTOR | C152 | | | QETN1CM-476Z | E CAPACITOR |
| R3057 | | | NRSA02J-223X | MG RESISTOR | C154 | | | NCB31CK-104X | CAPACITOR |
| R3062 | | | NRSA02J-102X | MG RESISTOR | C155 | | | X-CS0RB0216K | CAPACITOR |
| R3063 | | | NRSA02J-102X | MG RESISTOR | C156 | | | NCF21HZ-104X | CAPACITOR |
| R3083 | | | NRSA63J-333X | MG RESISTOR | C158 | | | NCB31CK-104X | CAPACITOR |
| R3087 | | | NRSA63J-333X | MG RESISTOR | C159 | | | NDC31HJ-220X | CAPACITOR |
| R8009 | | | QRE121J-471Y | RESISTOR | C162 | | | NCB31CK-104X | CAPACITOR |
| R8010 | | | NRSA02J-750X | MG RESISTOR | C163 | | | X-E524U0470D | E CAPACITOR |
| R8011 | | | NRSA02J-101X | MG RESISTOR | C165 | | | NCZ31HZ-473X | CAPACITOR |
| R8014 | | | NRSA02J-391X | MG RESISTOR | C166 | | | NCB21HK-683X | CAPACITOR |
| R8015 | | | NRSA02J-391X | MG RESISTOR | C169 | | | NCZ31HZ-473X | CAPACITOR |
| R8016 | | | NRSA02J-222X | MG RESISTOR | C172 | | | NDC31HJ-220X | CAPACITOR |
| R8017 | | | NRSA02J-222X | MG RESISTOR | C174 | | | QEKJ0JM-476Z | E CAPACITOR |
| R8019 | | | NRSA02J-750X | MG RESISTOR | C301 | | | NCZ31HZ-103X | CAPACITOR |
| R8032 | | | NRSA63J-471X | MG RESISTOR | C303 | | | NCZ31HZ-104X | CAPACITOR |
| R8056 | | | NRSA63J-471X | MG RESISTOR | C309 | | | QETN0JM-227Z | E CAPACITOR |
| R8059 | | | QRE141J-472Y | RESISTOR | C313 | | | QEKJ1CM-106Z | E CAPACITOR |
| C101 | | | X-P232W1223J | CAPACITOR | C315 | | | QEKJ1CM-106Z | E CAPACITOR |
| C103 | | | X-E524U0220D | E CAPACITOR | C318 | | | QEKJ1CM-106Z | E CAPACITOR |
| C104 | | | QEKJ0JM-227Z | E CAPACITOR | △ C501 | | | X-E5EZ2222M | E CAPACITOR |
| C105 | | | X-E524U0220D | E CAPACITOR | △ C502 | | | X-P2122B104M | CAPACITOR |
| C106 | | | NCB31HK-103X | CAPACITOR | C504 | | | QETN0JM-227Z | E CAPACITOR |
| C107 | | | NCB31HK-153X | CAPACITOR | △ C505 | | | X-E5EZU2101M | E CAPACITOR |
| C108 | | | NCB31HK-103X | CAPACITOR | C506 | | | X-E5EZU0471M | E CAPACITOR |
| C109 | | | NCB31CK-104X | CAPACITOR | C507 | | | NCF21CZ-2R2X | CAPACITOR |
| C110 | | | X-E5EZU2470M | E CAPACITOR | C508 | | | NCB31HK-822X | CAPACITOR |
| C112 | | | QEKJ0JM-227Z | E CAPACITOR | C509 | | | QFN31HJ-183Z | F CAPACITOR |
| C114 | | | NCB31CK-104X | CAPACITOR | C510 | | | X-E5EZU5220M | E CAPACITOR |
| C115 | | | X-E524U1330D | E CAPACITOR | △ C511 | | | X-E62QFC470M | E CAPACITOR |
| C116 | | | NCF31EZ-104X | CAPACITOR | C512 | | | NCF31HZ-105X | CAPACITOR |
| C117 | | | NCB31HK-103X | CAPACITOR | C513 | | | X-C0PLRR7H2K | CAPACITOR |
| C118 | | | NCB31HK-103X | CAPACITOR | △ C514 | | | X-E5EZU2101M | E CAPACITOR |
| C119 | | | X-E524U2100D | E CAPACITOR | △ C515 | | | QCB12HK-103 | CAPACITOR |
| C120 | | | X-E524U5010D | E CAPACITOR | △ C516 | | | X-CD39E0MQ3M | CAPACITOR |
| C121 | | | NCB31HK-272X | CAPACITOR | △ C517 | | | NCF31HZ-105X | CAPACITOR |
| C122 | | | NCB31HK-122X | CAPACITOR | △ C518 | | | QECF0JM-228 | E CAPACITOR |
| C123 | | | X-E02LU54R7M | E CAPACITOR | △ C519 | | | X-E5EZ01222M | E CAPACITOR |
| C124 | | | X-E524U5010D | E CAPACITOR | △ C521 | | | X-E5EZU2101M | E CAPACITOR |
| C125 | | | X-CS0PCH4N2J | CAPACITOR | △ C522 | | | X-E5EZU5220M | E CAPACITOR |
| C126 | | | NCB31CK-104X | CAPACITOR | C524 | | | X-CS0YB04H4K | CAPACITOR |
| C127 | | | X-CS0PCH4G2J | CAPACITOR | C525 | | | X-C0PLRR7U2K | CAPACITOR |
| C129 | | | X-CS0RB0216K | CAPACITOR | C527 | | | NCB31HK-822X | CAPACITOR |
| C131 | | | X-E524U0101D | E CAPACITOR | C528 | | | X-E5EZU2101M | E CAPACITOR |
| C132 | | | QEKJ1HM-105Z | E CAPACITOR | C530 | | | X-E5EZU2101M | E CAPACITOR |
| C133 | | | NCF31HZ-105X | CAPACITOR | C531 | | | QCB32HK-561Z | CAPACITOR |
| C134 | | | QEKJ1HM-105Z | E CAPACITOR | C534 | | | NCF31HZ-105X | CAPACITOR |
| C135 | | | X-E02LU5R22M | E CAPACITOR | △ C540 | | | X-E62QFC470M | E CAPACITOR |
| C136 | | | QETN1VM-226Z | E CAPACITOR | C541 | | | NCF21CZ-2R2X | CAPACITOR |
| C137 | | | X-E524U5010D | E CAPACITOR | C652 | | | QETN0JM-107Z | E CAPACITOR |
| C138 | | | QETN1HM-105Z | E CAPACITOR | C653 | | | QETL1AM-477 | E CAPACITOR |
| C139 | | | NCF31EZ-104X | CAPACITOR | C701 | | | X-CS0YB04H4K | CAPACITOR |
| C140 | | | X-E00NU54R7M | E CAPACITOR | C702 | | | X-E524U53R3D | E CAPACITOR |
| C141 | | | NCB31HK-103X | CAPACITOR | C703 | | | X-E02LU54R7M | E CAPACITOR |
| C142 | | | X-E524U2470D | E CAPACITOR | C704 | | | X-E524U5010D | E CAPACITOR |
| C143 | | | NCF31HZ-105X | CAPACITOR | C705 | | | QEKJ1HM-475Z | E CAPACITOR |
| C144 | | | NCB31HK-103X | CAPACITOR | C706 | | | X-E524U5010D | E CAPACITOR |
| C145 | | | X-CS0YB04H4K | CAPACITOR | C707 | | | NCB31CK-104X | CAPACITOR |
| C146 | | | X-E524U5010D | E CAPACITOR | C708 | | | QEKJ1CM-106Z | E CAPACITOR |
| C147 | | | X-CS0YB04H4K | CAPACITOR | C709 | | | X-E50HU5100M | E CAPACITOR |
| C148 | | | X-E524U5010D | E CAPACITOR | C711 | | | X-E50HU5100M | E CAPACITOR |
| C151 | | | QEKJ1HM-105Z | E CAPACITOR | C713 | | | NCF31HZ-105X | CAPACITOR |

| # | △ REF No. | PART No. | PART NAME, DESCRIPTION | # | △ REF No. | PART No. | PART NAME, DESCRIPTION |
|-------|-----------|--------------|------------------------|--------|-----------|--------------|------------------------------|
| C714 | | X-E524U2100D | E CAPACITOR 10μF,16V | C3020 | | X-CS0YB04H4K | CAPACITOR 0.022μF,50V |
| C715 | | NCB31HK-122X | CAPACITOR 0.0012μF,50V | C3021 | | QEKJ1CM-106Z | E CAPACITOR 10μF,16V |
| C716 | | NCF31HZ-105X | CAPACITOR 1μF,10V | C3022 | | NDC31HJ-471X | CAPACITOR 470pF,50V |
| C719 | | NCF31HZ-105X | CAPACITOR 1μF,10V | C3023 | | QETN0JM-477Z | E CAPACITOR 470μF,6.3V |
| C720 | | QETN1HM-336Z | E CAPACITOR 33μF,50V | C3024 | | NDC31HJ-120X | CAPACITOR 12pF,50V |
| C721 | | NCB31HK-122X | CAPACITOR 0.0012μF,50V | C3025 | | NDC31HJ-120X | CAPACITOR 12pF,50V |
| C722 | | NCB31CK-104X | CAPACITOR 0.1μF,16V | C3027 | | NCF31EZ-104X | CAPACITOR 0.1μF,25V |
| C723 | | NCZ31HZ-103X | CAPACITOR 0.01μF,50V | C3029 | | QEKJ0JM-476Z | E CAPACITOR 47μF,6.3V |
| C724 | | NCZ31HZ-103X | CAPACITOR 0.01μF,50V | C3030 | | NCF31HZ-105X | CAPACITOR 1μF,10V |
| C725 | | NCB31CK-104X | CAPACITOR 0.1μF,16V | C3031 | | NCB31HK-152X | CAPACITOR 0.0015μF,50V |
| C726 | | NCB31HK-153X | CAPACITOR 0.015μF,50V | C3032 | | QEKJ1HM-225Z | E CAPACITOR 2.2μF,50V |
| C727 | | X-E524U2100D | E CAPACITOR 10μF,16V | C3033 | | QETN1VM-337Z | E CAPACITOR 330pF,35V |
| C728 | | X-E50HU5100M | E CAPACITOR 10μF,50V | C3034 | | NCF31HZ-105X | CAPACITOR 1μF,10V |
| C729 | | NCB31HK-103X | CAPACITOR 0.01μF,50V | C3036 | | NCF31EZ-104X | CAPACITOR 0.1μF,25V |
| C730 | | NCB31HK-153X | CAPACITOR 0.015μF,50V | C3038 | | NCF31HZ-105X | CAPACITOR 1μF,10V |
| C731 | | X-E50HU5R22M | E CAPACITOR 0.22μF,50V | C3040 | | NCF31HZ-105X | CAPACITOR 1μF,10V |
| C732 | | NCZ31HZ-103X | CAPACITOR 0.01μF,50V | C3041 | | NCB31HK-152X | CAPACITOR 0.0015μF,50V |
| C734 | | NCB31CK-104X | CAPACITOR 0.1μF,16V | C3044 | | NDC31HJ-120X | CAPACITOR 12pF,50V |
| C735 | | X-E02LU54R7M | E CAPACITOR 4.7μF,50V | C3045 | | QEKJ1HM-474Z | E CAPACITOR 0.47μF,50V |
| C736 | | NCB31HK-102X | CAPACITOR 0.001μF,50V | C3049 | | NDC31HJ-101X | CAPACITOR 100pF,50V |
| C737 | | QEKJ1HM-475Z | E CAPACITOR 4.7μF,50V | C3050 | | NCB31HK-103X | CAPACITOR 0.01μF,50V |
| C738 | | NCZ31HZ-103X | CAPACITOR 0.01μF,50V | C3052 | | QEKJ0JM-226Z | E CAPACITOR 22μF,6.3V |
| C739 | | QEKJ1CM-476Z | E CAPACITOR 47μF,16V | C3053 | | NCB31CK-104X | CAPACITOR 0.1μF,16V |
| C740 | | X-E50HU3330M | E CAPACITOR 33μF,25V | C3061 | | NCF31EZ-104X | CAPACITOR 0.1μF,25V |
| C741 | | X-E524U2100D | E CAPACITOR 10μF,16V | C3065 | | NCF31EZ-104X | CAPACITOR 0.1μF,25V |
| C742 | | X-E524U2100D | E CAPACITOR 10μF,16V | C8004 | | NDC31HJ-471X | CAPACITOR 470pF,50V |
| C743 | | X-E524U5R22D | E CAPACITOR 0.22μF,50V | C8013 | | QETN1HM-106Z | E CAPACITOR 10μF,50V |
| C744 | | NCF31EZ-104X | CAPACITOR 0.1μF,25V | C8014 | | NCF31EZ-104X | CAPACITOR 0.1μF,25V |
| C746 | | NCF31EZ-104X | CAPACITOR 0.1μF,25V | C8015 | | QETN0JM-477Z | E CAPACITOR 470μF,6.3V |
| C747 | | QETN1HM-106Z | E CAPACITOR 10μF,50V | C8019 | | QEKJ1CM-106Z | E CAPACITOR 10μF,16V |
| C748 | | NCF31EZ-104X | CAPACITOR 0.1μF,25V | C8031 | | QEKJ1HM-475Z | E CAPACITOR 4.7μF,50V |
| C749 | | NCF31EZ-104X | CAPACITOR 0.1μF,25V | C8032 | | X-E00NU24R7M | E CAPACITOR 4.7μF,16V |
| C750 | | X-E524U52R2D | E CAPACITOR 2.2μF,50V | C8053 | | QEKJ1CM-106Z | E CAPACITOR 10μF,16V |
| C751 | | NCF31EZ-104X | CAPACITOR 0.1μF,25V | C8057 | | NCF31EZ-104X | CAPACITOR 0.1μF,25V |
| C752 | | X-E524U2220D | E CAPACITOR 22μF,16V | C8075 | | QEKJ1HM-475Z | E CAPACITOR 4.7μF,50V |
| C754 | | QEKJ1CM-476Z | E CAPACITOR 47μF,16V | C8099 | | NDC31HJ-471X | CAPACITOR 470pF,50V |
| C755 | | X-CS0YB04H4K | CAPACITOR 0.022μF,50V | △ D502 | | X-D2WXN40050 | DIODE 1N4005-EIC |
| C756 | | X-E524U2100D | E CAPACITOR 10μF,16V | △ D503 | | X-D2WXN40050 | DIODE 1N4005-EIC |
| C757 | | NCF31HZ-105X | CAPACITOR 1μF,10V | D504 | | 1SS133-T2 | DIODE |
| C758 | | X-E524U2220D | E CAPACITOR 22μF,16V | △ D505 | | X-D2WXN40050 | DIODE 1N4005-EIC |
| C759 | | X-E50HU4220M | E CAPACITOR 22μF,35V | △ D506 | | X-D2WXN40050 | DIODE 1N4005-EIC |
| C760 | | NCF31HZ-105X | CAPACITOR 1μF,10V | △ D507 | | X-D23TGP15J0 | DIODE RGP15J-G23 |
| C761 | | QEKJ0JM-476Z | E CAPACITOR 47μF,6.3V | D509 | | X-D2WXGP10J0 | FR DIODE RGP10J-EIC |
| C762 | | NDC31HJ-681X | CAPACITOR 680pF,50V | △ D510 | | MTZJ27B-T2 | ZENER |
| C763 | | NDC31HJ-681X | CAPACITOR 680pF,50V | △ D511 | | X-D28T21DQN4 | DIODE,SCHOTTKY 21DQ04N-TA2B1 |
| C3001 | | X-CS0RB0216K | CAPACITOR 1μF,16V | △ D512 | | X-D28T21DQN4 | DIODE,SCHOTTKY 21DQ04N-TA2B1 |
| C3002 | | NCB31HK-103X | CAPACITOR 0.01μF,50V | D513 | | X-D2WXN40050 | DIODE 1N4005-EIC |
| C3004 | | X-CS0YB04H4K | CAPACITOR 0.022μF,50V | D514 | | MTZJ12C-T2 | ZENER |
| C3005 | | NCB31HK-102X | CAPACITOR 0.001μF,50V | △ D515 | | X-D28T21DQN4 | DIODE,SCHOTTKY 21DQ04N-TA2B1 |
| C3006 | | NCB31HK-102X | CAPACITOR 0.001μF,50V | D518 | | 1SS133-T2 | DIODE |
| C3007 | | NCB31CK-104X | CAPACITOR 0.1μF,16V | △ D522 | | X-D28TELS6N6 | RECTIFIER 10ELS6N-TA1B2 |
| C3008 | | NCB31HK-472X | CAPACITOR 0.0047μF,50V | △ D523 | | MTZJ33B-T2 | ZENER |
| C3009 | | NCB31CK-104X | CAPACITOR 0.1μF,16V | D524 | | 1SS133-T2 | DIODE |
| C3010 | | NCB31HK-102X | CAPACITOR 0.001μF,50V | D526 | | MTZJ3.3B | ZENER |
| C3013 | | QEKJ0JM-226Z | E CAPACITOR 22μF,6.3V | D528 | | 1SS133-T2 | DIODE |
| C3014 | | NCF31EZ-104X | CAPACITOR 0.1μF,25V | D530 | | X-D28TELS6N6 | RECTIFIER 10ELS6N-TA1B2 |
| C3015 | | X-CS0PCH4W2J | CAPACITOR 820pF,50V | D531 | | MTZJ9.1B | DIODE,ZENER |
| C3016 | | QEKJ0JM-476Z | E CAPACITOR 47μF,6.3V | D532 | | MTZJ3.3B | ZENER |
| C3017 | | NCB31HK-102X | CAPACITOR 0.001μF,50V | D534 | | 1SS133-T2 | DIODE |
| C3018 | | NDC31HJ-151X | CAPACITOR 150pF,50V | D535 | | 1SS133-T2 | DIODE |
| C3019 | | NCB31CK-104X | CAPACITOR 0.1μF,16V | D536 | | 1SS133-T2 | DIODE |

| # | △ | REF No. | PART No. | PART NAME, DESCRIPTION | # | △ | REF No. | PART No. | PART NAME, DESCRIPTION | |
|---|---|---------|-----------------|---------------------------------|---|---|---------|----------------|--------------------------------|----------------------|
| | | D537 | 1SS133-T2 | DIODE | | | Q665 | X-TAAA1504SY | TRANSISTOR KTA1504S_Y_RTK | |
| | | D538 | 1SS133-T2 | DIODE | | | Q666 | X-TPAAC05002 | TRANSISTOR KRA103SR TK | |
| | | D539 | 1SS133-T2 | DIODE | | | Q3001 | X-0002700690 | PHOTO COUPLER RPI-303 | |
| | | D651 | X-0021E5Q212 | LED LTL-1CHGT-002A | | | Q3002 | X-0002700690 | PHOTO COUPLER RPI-303 | |
| | | D656 | X-D2WXN40050 | DIODE 1N4005-EIC | | | Q3003 | X-TPAAC05002 | TRANSISTOR KRA103SR TK | |
| | | D701 | 1SS133-T2 | DIODE | | | Q3004 | X-0002700680 | PHOTO TRANSISTOR RPI-352C40N | |
| | | D702 | MTZJ5.1B | DIODE,ZENER | | | Q3005 | X-0002700680 | PHOTO TRANSISTOR RPI-352C40N | |
| | | D3001 | X-0010E00330 | INFRARED LED LTE-3271T-012A-O | | | Q3006 | X-0000M00390 | PHOTO TRANSISTOR ST-304L | |
| | | D3007 | 1SS133-T2 | DIODE | | | Q3007 | KRC103S-X | TRANSISTOR | |
| | | D3009 | 1SS133-T2 | DIODE | | | Q3008 | X-0000M00390 | PHOTO TRANSISTOR ST-304L | |
| | | D8002 | MTZJ6.8B-T2 | ZENER | | | Q8003 | KRC103S-X | TRANSISTOR | |
| | | D8003 | MTZJ6.8B-T2 | ZENER | | | Q8004 | X-TAATA12660 | TRANSISTOR KTA1266-AT(Y,GR) | |
| | | D8008 | 1SS133-T2 | DIODE | | | Q8005 | X-TCAA3875SY | TRANSISTOR KTC3875S_Y_RTK | |
| △ | | IC503 | X-000220001W | PHOTO COUPLER PS2561L1-1-V(W) | | | Q8006 | X-TCAA3875SY | TRANSISTOR KTC3875S_Y_RTK | |
| | | V651 | X-0040F34001 | LED DISPLAY ELF-4M6SDRSOWB/S423 | | | Q8007 | X-TPAAC05002 | TRANSISTOR KRA103SR TK | |
| | | IC101 | X-I03F3206M0 | IC LA71206M-MPB | | | B501 | X-024HT03563 | CORE,BEADS | |
| △ | | IC501 | X-I1KJ9A4310 | IC KIA431 | | | B502 | X-024HT03553 | CORE,BEADS W5RH3.5X5X1.0 | |
| △ | | IC502 | X-I1KA98R09A | IC KIA78R09API | | | L101 | X-031626009R | COIL,BIAS OSC | |
| | | IC701 | AN3663FBP | IC | | | L102 | QQL29BJ-101Z | COIL 100µH | |
| | | IC3001 | X-I54F50138A | IC OEC0138A | | | L103 | QQL071J-5R6Y | COIL 5.6µH | |
| | | IC3003 | X-I9UF032310 | IC PST3231NR | | | L105 | QQL29BJ-101Z | COIL 100µH | |
| | | IC3099 | X-A2C501X015 | IC S-24C04BFJ-TB | | | L106 | QQL29BJ-220Z | COIL 22µH | |
| | | IC8005 | MM1501XN-X | IC | | | L107 | QQL29BJ-220Z | COIL 22µH | |
| | | Q101 | X-TCAA3875SY | TRANSISTOR KTC3875S_Y_RTK | | | L301 | QQL29BJ-220Z | COIL 22µH | |
| | | Q102 | X-TCAA3875SY | TRANSISTOR KTC3875S_Y_RTK | △ | | L501 | X-029T000107 | COIL,LINE FILTER 0R4A223F20 | |
| | | Q103 | X-TPAAC05002 | TRANSISTOR KRA103SR TK | | | L502 | X-02AHB0A0A4 | CORE,FERRITE W5T_20*10*10A | |
| | | Q104 | X-TCAT032034 | TRANSISTOR KTC3203_Y-AT | | | L505 | QQL29BJ-220Z | COIL 22µH | |
| | | Q105 | X-TAATA12660 | TRANSISTOR KTA1266-AT(Y,GR) | △ | | L506 | X-021W7A220K | COIL 22µH | |
| | | Q106 | X-TAAA1504SY | TRANSISTOR KTA1504S_Y_RTK | | | L701 | QQL29BJ-220Z | COIL 22µH | |
| | | Q107 | X-TAAA1504SY | TRANSISTOR KTA1504S_Y_RTK | | | L702 | QQL29BJ-220Z | COIL 22µH | |
| | | Q109 | X-TCAA3875SY | TRANSISTOR KTC3875S_Y_RTK | | | L703 | QQL29BJ-101Z | COIL 100µH | |
| | | Q301 | X-TCAA3875SY | TRANSISTOR KTC3875S_Y_RTK | | | L704 | X-0216A6100K | COIL 10µH | |
| △ | | Q501 | X-TJXG5NC500 | FET STP5NC50FP | | | L3002 | X-021W7A220K | COIL 22µH | |
| △ | | Q502 | X-TCAT032034 | TRANSISTOR KTC3203_Y-AT | | | L3003 | QQL071J-120Y | COIL 12µH | |
| △ | | Q503 | X-TCAT03209Y | TRANSISTOR KTC3209_Y-AT | | | L8004 | QQL071J-470Y | COIL 47µH | |
| △ | | Q504 | X-TAAT012714 | TRANSISTOR KTA1271_Y-AT | △ | | T501 | X-0481260074 | TRANSFORMER,SWITCHING 81260074 | |
| △ | | Q505 | X-TCAT03209Y | TRANSISTOR KTC3209_Y-AT | | | J8001 | X-060J411018 | RCA JACK | |
| | | Q506 | KRC103S-X | TRANSISTOR | | | J8003 | X-060J401087 | RCA JACK | |
| | | Q507 | X-TCAA3875SY | TRANSISTOR KTC3875S_Y_RTK | | | J8004 | X-060J401087 | RCA JACK | |
| | | Q508 | X-TCAA3875SY | TRANSISTOR KTC3875S_Y_RTK | | | J8005 | X-060J421025 | RCA JACK | |
| | | Q509 | KRC103S-X | TRANSISTOR | | | SW651 | QSW0456-001Z | TACT SWITCH | |
| △ | | Q510 | X-TCAT032034 | TRANSISTOR KTC3203_Y-AT | | | SW652 | QSW0456-001Z | TACT SWITCH | |
| △ | | Q511 | X-TAAT01241Y | TRANSISTOR KTA1241_Y-AT | | | SW653 | QSW0456-001Z | TACT SWITCH | |
| | | Q513 | 2SC2412K/RS/-X | TRANSISTOR | | | SW654 | QSW0456-001Z | TACT SWITCH | |
| | | Q514 | 2SC2412K/RS/-X | TRANSISTOR | | | SW655 | QSW0456-001Z | TACT SWITCH | |
| | | Q530 | X-TCAA3875SY | TRANSISTOR KTC3875S_Y_RTK | | | SW3001 | X-0508S11001 | LEAF SWITCH | |
| | | Q531 | 2SA1037AK/RS/-X | TRANSISTOR | | | CP101 | X-0697290620 | CONNECTOR PCB SIDE | |
| | | Q651 | X-TAAA1504SY | TRANSISTOR KTA1504S_Y_RTK | | | CP102 | QFG1208C1-06 | CONNECTOR,PCB SIDE | |
| | | Q652 | KRC103S-X | TRANSISTOR | | | CP651 | X-069J750019 | CONNECTOR PCB SIDE | |
| | | Q653 | KRC103S-X | TRANSISTOR | | | CP3001 | X-06972C0010 | CONNECTOR PCB SIDE | |
| | | Q654 | X-TAAA1504SY | TRANSISTOR KTA1504S_Y_RTK | | | CP8002 | QFG1208C1-08 | CONNECTOR,PCB SIDE | |
| | | Q655 | KRC103S-X | TRANSISTOR | | | X101 | X-100DT3R528 | CRYSTAL HC-49/U | |
| | | Q656 | KRC103S-X | TRANSISTOR | | | X3001 | X-100BT01004 | CRYSTAL HC-49U/S | |
| | | Q657 | KRC103S-X | TRANSISTOR | | | △ | TU301 | X-0162300033 | RF UNIT 115-V-H015AR |
| | | Q658 | KRC103S-X | TRANSISTOR | | | CP103 | X-067U002019 | WIRE HOLDER B2013H02-2P | |
| | | Q659 | X-TAAA1504SY | TRANSISTOR KTA1504S_Y_RTK | △ | | F501 | QMF51U1-2R5-J8 | FUSE | |
| | | Q660 | KRC103S-X | TRANSISTOR | | | FH501 | X-06710T0006 | FUSE HOLDER | |
| | | Q661 | X-TAAA1504SY | TRANSISTOR KTA1504S_Y_RTK | | | FH502 | X-06710T0006 | FUSE HOLDER | |
| | | Q662 | KRC103S-X | TRANSISTOR | | | △ | CD501 | X-1209419910 | CORD,AC BUSH 9419910 |
| | | Q663 | KRC103S-X | TRANSISTOR | | | CP501 | X-06CH2C0302 | CORD,CONNECTOR CH2C0302 | |
| | | Q664 | KRC103S-X | TRANSISTOR | | | OS651 | X-077Q037001 | REMOTE RECEIVER | |

| # | REF No. | PART No. | PART NAME, DESCRIPTION |
|---|--------------|----------------------|------------------------|
| ***** | | | |
| OPERATION BOARD ASSEMBLY<28> | | | |
| PCB270 | X-A2C512X270 | OPERATION BOARD ASSY | |
| R685 | QRE141J-133Y | RESISTOR | 13KΩ, 1/4W |
| R686 | QRE141J-682Y | RESISTOR | 6.8KΩ, 1/4W |
| R687 | QRE141J-392Y | RESISTOR | 3.9KΩ, 1/4W |
| R688 | QRE141J-272Y | RESISTOR | 2.7KΩ, 1/4W |
| R689 | QRE141J-332Y | RESISTOR | 3.3KΩ, 1/4W |
| R690 | QRE141J-223Y | RESISTOR | 22KΩ, 1/4W |
| D685 | X-0021E5Q212 | LED | LTL-1CHGT-002A |
| SW685 | QSW0707-001Z | TACT SWITCH | |
| SW686 | QSW0707-001Z | TACT SWITCH | |
| SW687 | QSW0707-001Z | TACT SWITCH | |
| SW688 | QSW0707-001Z | TACT SWITCH | |
| SW689 | QSW0707-001Z | TACT SWITCH | |
| SW690 | QSW0707-001Z | TACT SWITCH | |
| CD681 | X-122H051202 | CORD, JUMPER | 2H051202 |
| CP681 | X-069J750019 | CONNECTOR PCB SIDE | |

| # | REF No. | PART No. | PART NAME, DESCRIPTION |
|-------------------------------------|--------------|----------------|------------------------|
| ***** | | | |
| DVD BOARD ASSEMBLY<50> | | | |
| PCB130 | X-A2C512X130 | DVD BOARD ASSY | |
| R2301 | NRSA63J-102X | MG RESISTOR | 1KΩ, 1/16W |
| R2303 | NRSA63J-2R2X | MG RESISTOR | 2.2Ω, 1/16W |
| R2304 | NRSA63J-2R2X | MG RESISTOR | 2.2Ω, 1/16W |
| R2305 | NRSA63J-513X | MG RESISTOR | 51KΩ, 1/16W |
| R2306 | NRSA02J-562X | MG RESISTOR | 5.6KΩ, 1/10W |
| R2307 | NRSA63J-273X | MG RESISTOR | 27KΩ, 1/16W |
| R2308 | NRSA02J-203X | MG RESISTOR | 20KΩ, 1/16W |
| R2309 | NRSA63J-471X | MG RESISTOR | 470Ω, 1/16W |
| R2310 | NRSA63J-562X | MG RESISTOR | 5.6KΩ, 1/16W |
| R2312 | NRSA63J-562X | MG RESISTOR | 5.6KΩ, 1/16W |
| R2313 | NRSA63J-562X | MG RESISTOR | 5.6KΩ, 1/16W |
| R2314 | NRSA63J-562X | MG RESISTOR | 5.6KΩ, 1/16W |
| R2316 | NRSA02J-203X | MG RESISTOR | 20KΩ, 1/16W |
| R2318 | NRSA02J-562X | MG RESISTOR | 5.6KΩ, 1/10W |
| R2319 | NRSA63J-273X | MG RESISTOR | 27KΩ, 1/16W |
| R2321 | NRSA63J-513X | MG RESISTOR | 51KΩ, 1/16W |
| R2322 | NRSA63J-472X | MG RESISTOR | 4.7KΩ, 1/16W |
| R2323 | NRSA02J-332X | MG RESISTOR | 3.3KΩ, 1/10W |
| R2324 | NRSA63J-102X | MG RESISTOR | 1KΩ, 1/16W |
| R2325 | NRSA63J-682X | MG RESISTOR | 6.8KΩ, 1/16W |
| R2326 | NRSA63J-822X | MG RESISTOR | 8.2KΩ, 1/16W |
| R2327 | NRSA63J-472X | MG RESISTOR | 4.7KΩ, 1/16W |
| R2328 | NRSA63J-472X | MG RESISTOR | 4.7KΩ, 1/16W |
| R2329 | NRSA63J-102X | MG RESISTOR | 1KΩ, 1/16W |
| R2330 | NRSA63J-102X | MG RESISTOR | 1KΩ, 1/16W |
| R2331 | NRSA63J-471X | MG RESISTOR | 470Ω, 1/16W |
| R2334 | NRSA63J-103X | MG RESISTOR | 10KΩ, 1/16W |
| R2337 | NRSA63J-103X | MG RESISTOR | 10KΩ, 1/16W |
| R2601 | NRSA63J-472X | MG RESISTOR | 4.7KΩ, 1/16W |
| R2602 | NRSA63J-185X | MG RESISTOR | 1.8MΩ, 1/16W |
| R2603 | NRSA63F-133X | MG RESISTOR | 13KΩ, 1/16W |
| R2604 | NRSA63F-273X | MG RESISTOR | 27KΩ, 1/16W |
| R2605 | NRSA63F-103X | MG RESISTOR | 10KΩ, 1/16W |

| # | REF No. | PART No. | PART NAME, DESCRIPTION |
|-------|--------------|-------------|------------------------|
| R2607 | NRSA63J-122X | MG RESISTOR | 1.2KΩ, 1/16W |
| R2608 | NRSA63J-122X | MG RESISTOR | 1.2KΩ, 1/16W |
| R2609 | NRSA63J-122X | MG RESISTOR | 1.2KΩ, 1/16W |
| R2610 | NRSA63F-512X | MG RESISTOR | 5.1KΩ, 1/16W |
| R2611 | NRSA63J-472X | MG RESISTOR | 4.7KΩ, 1/16W |
| R2612 | NRSA63J-472X | MG RESISTOR | 4.7KΩ, 1/16W |
| R2613 | NRSA63J-472X | MG RESISTOR | 4.7KΩ, 1/16W |
| R2614 | NRSA63F-123X | MG RESISTOR | 12KΩ, 1/16W |
| R2615 | NRSA02J-100X | MG RESISTOR | 10Ω, 1/10W |
| R2616 | NRSA02J-102X | MG RESISTOR | 1KΩ, 1/10W |
| R2617 | NRSA02J-102X | MG RESISTOR | 1KΩ, 1/10W |
| R2618 | NRSA02J-100X | MG RESISTOR | 10Ω, 1/10W |
| R2619 | NRSA02J-101X | MG RESISTOR | 100Ω, 1/10W |
| R2620 | NRSA63J-472X | MG RESISTOR | 4.7KΩ, 1/16W |
| R2621 | NRSA02J-101X | MG RESISTOR | 100Ω, 1/10W |
| R2622 | NRSA63J-472X | MG RESISTOR | 4.7KΩ, 1/16W |
| R2623 | NRSA63J-472X | MG RESISTOR | 4.7KΩ, 1/16W |
| R2624 | NRSA63J-472X | MG RESISTOR | 4.7KΩ, 1/16W |
| R2625 | NRSA63J-472X | MG RESISTOR | 4.7KΩ, 1/16W |
| R2626 | NRSA63J-472X | MG RESISTOR | 4.7KΩ, 1/16W |
| R2627 | NRSA02J-152X | MG RESISTOR | 1.5KΩ, 1/10W |
| R2628 | NRSA02J-223X | MG RESISTOR | 22KΩ, 1/10W |
| R2629 | NRSA02J-152X | MG RESISTOR | 1.5KΩ, 1/10W |
| R2630 | NRSA02J-223X | MG RESISTOR | 22KΩ, 1/10W |
| R2631 | NRSA02J-105X | MG RESISTOR | 1MΩ, 1/10W |
| R2632 | NRSA63J-472X | MG RESISTOR | 4.7KΩ, 1/16W |
| R2635 | NRSA63J-472X | MG RESISTOR | 4.7KΩ, 1/16W |
| R2643 | NRSA02J-102X | MG RESISTOR | 1KΩ, 1/10W |
| R2644 | NRSA63J-222X | MG RESISTOR | 2.2KΩ, 1/16W |
| R2645 | NRSA02J-102X | MG RESISTOR | 1KΩ, 1/10W |
| R2646 | NRSA02J-222X | MG RESISTOR | 2.2KΩ, 1/10W |
| R2647 | NRSA63J-472X | MG RESISTOR | 4.7KΩ, 1/16W |
| R2648 | NRSA63J-133X | MG RESISTOR | 13KΩ, 1/16W |
| R2649 | NRSA63J-101X | MG RESISTOR | 100Ω, 1/16W |
| R2650 | NRSA63J-472X | MG RESISTOR | 4.7KΩ, 1/16W |
| R2651 | NRSA63J-472X | MG RESISTOR | 4.7KΩ, 1/16W |
| R2652 | NRSA63J-101X | MG RESISTOR | 100Ω, 1/16W |
| R2653 | NRSA63J-101X | MG RESISTOR | 100Ω, 1/16W |
| R4001 | NRSA63F-391X | MG RESISTOR | 390Ω, 1/16W |
| R4002 | NRSA63F-750X | MG RESISTOR | 75Ω, 1/16W |
| R4003 | NRSA63F-750X | MG RESISTOR | 75Ω, 1/16W |
| R4004 | NRSA63F-820X | MG RESISTOR | 82Ω, 1/16W |
| R4005 | NRSA63F-750X | MG RESISTOR | 75Ω, 1/16W |
| R4008 | NRSA02J-101X | MG RESISTOR | 100Ω, 1/10W |
| R4012 | NRSA02J-105X | MG RESISTOR | 1MΩ, 1/10W |
| R4014 | NRSA63J-472X | MG RESISTOR | 4.7KΩ, 1/16W |
| R4016 | NRSA63J-101X | MG RESISTOR | 100Ω, 1/16W |
| R4018 | NRSA63J-472X | MG RESISTOR | 4.7KΩ, 1/16W |
| R4019 | NRSA63J-330X | MG RESISTOR | 33Ω, 1/16W |
| R4020 | NRSA63J-330X | MG RESISTOR | 33Ω, 1/16W |
| R4021 | NRSA63J-330X | MG RESISTOR | 33Ω, 1/16W |
| R4022 | NRSA02J-103X | MG RESISTOR | 10KΩ, 1/10W |
| R4023 | NRSA63J-472X | MG RESISTOR | 4.7KΩ, 1/16W |
| R4024 | NRSA63J-472X | MG RESISTOR | 4.7KΩ, 1/16W |
| R4025 | NRSA02J-221X | MG RESISTOR | 220Ω, 1/10W |
| R4026 | NRSA02J-101X | MG RESISTOR | 100Ω, 1/10W |
| R4027 | NRSA63J-101X | MG RESISTOR | 100Ω, 1/16W |
| R4031 | NRSA63J-472X | MG RESISTOR | 4.7KΩ, 1/16W |
| R4032 | NRSA63F-511X | MG RESISTOR | 510Ω, 1/16W |
| R4033 | NRSA02J-100X | MG RESISTOR | 10Ω, 1/10W |
| R4034 | NRSA63F-102X | MG RESISTOR | 1KΩ, 1/16W |

| # | △ | REF No. | PART No. | PART NAME, DESCRIPTION | # | △ | REF No. | PART No. | PART NAME, DESCRIPTION | |
|-------|---|---------|--------------|------------------------|-------|---|---------|--------------|------------------------|--------------|
| R4035 | | | NRSA63J-472X | MG RESISTOR | C2305 | | | NDC31HJ-221X | CAPACITOR | 220pF,50V |
| R4036 | | | NRSA63J-472X | MG RESISTOR | C2306 | | | NCB31EZ-104X | CAPACITOR | 0.1μF,25V |
| R4037 | | | NRSA63J-472X | MG RESISTOR | C2307 | | | NCB31CK-104X | CAPACITOR | 0.1μF,16V |
| R4038 | | | NRSA63J-472X | MG RESISTOR | C2308 | | | NCB31CK-104X | CAPACITOR | 0.1μF,16V |
| R4039 | | | NRSA63J-472X | MG RESISTOR | C2309 | | | NCB31HK-102X | CAPACITOR | 0.001μF,50V |
| R4040 | | | NRSA63J-472X | MG RESISTOR | C2310 | | | QETN1CM-476Z | E CAPACITOR | 47μF,16V |
| R4041 | | | NRSA63J-472X | MG RESISTOR | C2311 | | | NCB31CK-104X | CAPACITOR | 0.1μF,16V |
| R4042 | | | NRSA02J-680X | MG RESISTOR | C2312 | | | NCB31HK-102X | CAPACITOR | 0.001μF,50V |
| R4043 | | | NRSA02J-103X | MG RESISTOR | C2603 | | | NCB31HK-222X | CAPACITOR | 0.0022μF,50V |
| R4044 | | | NRSA63J-103X | MG RESISTOR | C2604 | | | NCB31HK-222X | CAPACITOR | 0.0022μF,50V |
| R4045 | | | NRSA63J-472X | MG RESISTOR | C2605 | | | NCB31HK-222X | CAPACITOR | 0.0022μF,50V |
| R4046 | | | NRSA63J-472X | MG RESISTOR | C2606 | | | NCB31HK-222X | CAPACITOR | 0.0022μF,50V |
| R4047 | | | NRSA63J-330X | MG RESISTOR | C2607 | | | NDC31HJ-330X | CAPACITOR | 33pF,50V |
| R4048 | | | NRSA02J-473X | MG RESISTOR | C2608 | | | QETN1CM-476Z | E CAPACITOR | 47μF,16V |
| R4049 | | | NRSA63J-472X | MG RESISTOR | C2609 | | | NCB31EZ-104X | CAPACITOR | 0.1μF,25V |
| R4050 | | | NRSA63J-472X | MG RESISTOR | C2610 | | | NCB31HK-682X | CAPACITOR | 0.0068μF,50V |
| R4051 | | | NRSA63J-472X | MG RESISTOR | C2611 | | | NCB31EZ-104X | CAPACITOR | 0.1μF,25V |
| R4052 | | | NRSA63J-472X | MG RESISTOR | C2612 | | | NCB31HK-333X | CAPACITOR | 0.033μF,25V |
| R4053 | | | NRSA63J-102X | MG RESISTOR | C2613 | | | NDC31HJ-221X | CAPACITOR | 220pF,50V |
| R4054 | | | NRSA63J-102X | MG RESISTOR | C2614 | | | NCB31CK-104X | CAPACITOR | 0.1μF,16V |
| R7306 | | | NRSA02J-103X | MG RESISTOR | C2615 | | | NCB31EZ-104X | CAPACITOR | 0.1μF,25V |
| R7307 | | | NRSA02J-103X | MG RESISTOR | C2616 | | | NDC31HJ-471X | CAPACITOR | 470pF,50V |
| R8101 | | | NRSA02J-103X | MG RESISTOR | C2617 | | | NCB31CK-104X | CAPACITOR | 0.1μF,16V |
| R8102 | | | NRSA02J-104X | MG RESISTOR | C2618 | | | NCB31CK-104X | CAPACITOR | 0.1μF,16V |
| R8103 | | | NRSA63J-104X | MG RESISTOR | C2619 | | | NDC31HJ-561X | CAPACITOR | 560pF,50V |
| R8104 | | | NRSA02J-103X | MG RESISTOR | C2620 | | | NCB31HK-562X | CAPACITOR | 0.0056μF,50V |
| R8105 | | | NRSA63J-473X | MG RESISTOR | C2621 | | | NCB31HK-562X | CAPACITOR | 0.0056μF,50V |
| R8106 | | | NRSA02J-473X | MG RESISTOR | C2622 | | | NCB31HK-562X | CAPACITOR | 0.0056μF,50V |
| R8107 | | | NRSA63J-103X | MG RESISTOR | C2623 | | | NCB31EZ-104X | CAPACITOR | 0.1μF,25V |
| R8108 | | | NRSA63J-103X | MG RESISTOR | C2624 | | | NCB31HK-102X | CAPACITOR | 0.001μF,50V |
| R8109 | | | NRSA63J-123X | MG RESISTOR | C2625 | | | NCB31HK-102X | CAPACITOR | 0.001μF,50V |
| R8110 | | | NRSA63J-123X | MG RESISTOR | C2626 | | | NCB31EZ-104X | CAPACITOR | 0.1μF,25V |
| R8111 | | | NRSA02J-103X | MG RESISTOR | C2627 | | | NCB31HK-333X | CAPACITOR | 0.033μF,25V |
| R8112 | | | NRSA63J-471X | MG RESISTOR | C2628 | | | NCB31HK-102X | CAPACITOR | 0.001μF,50V |
| R8113 | | | NRSA02J-560X | MG RESISTOR | C2629 | | | NCB31HK-102X | CAPACITOR | 0.001μF,50V |
| R8114 | | | NRSA63J-102X | MG RESISTOR | C2632 | | | NCB31EZ-104X | CAPACITOR | 0.1μF,25V |
| R8115 | | | NRSA63J-471X | MG RESISTOR | C2633 | | | NCB31HK-102X | CAPACITOR | 0.001μF,50V |
| R8116 | | | NRSA63J-103X | MG RESISTOR | C2634 | | | NCF31EZ-104X | CAPACITOR | 0.1μF,25V |
| R8117 | | | NRSA63J-103X | MG RESISTOR | C2635 | | | NCB31HK-102X | CAPACITOR | 0.001μF,50V |
| R8118 | | | NRSA02J-102X | MG RESISTOR | C2636 | | | NCF31EZ-104X | CAPACITOR | 0.1μF,25V |
| R8119 | | | NRSA02J-474X | MG RESISTOR | C2637 | | | NCF31EZ-104X | CAPACITOR | 0.1μF,25V |
| R8120 | | | NRSA63J-472X | MG RESISTOR | C2638 | | | NCF31EZ-104X | CAPACITOR | 0.1μF,25V |
| R8121 | | | NRSA02J-332X | MG RESISTOR | C2639 | | | NCF31EZ-104X | CAPACITOR | 0.1μF,25V |
| R8122 | | | NRSA63J-102X | MG RESISTOR | C2640 | | | QETN0JM-107Z | E CAPACITOR | 100μF,6.3V |
| R8123 | | | NRSA63J-472X | MG RESISTOR | C2641 | | | QETN0JM-107Z | E CAPACITOR | 100μF,6.3V |
| R8124 | | | NRSA63J-102X | MG RESISTOR | C2642 | | | NCB31EZ-104X | CAPACITOR | 0.1μF,25V |
| R8128 | | | NRSA02J-102X | MG RESISTOR | C2643 | | | QETN1CM-476Z | E CAPACITOR | 47μF,16V |
| R8129 | | | NRSA02J-103X | MG RESISTOR | C2644 | | | QETN1CM-476Z | E CAPACITOR | 47μF,16V |
| R8130 | | | NRSA02J-222X | MG RESISTOR | C2645 | | | NCB31EZ-104X | CAPACITOR | 0.1μF,25V |
| R8131 | | | NRSA02J-152X | MG RESISTOR | C2646 | | | QETN1CM-476Z | E CAPACITOR | 47μF,16V |
| R8132 | | | NRSA02J-332X | MG RESISTOR | C2647 | | | NCB31EZ-104X | CAPACITOR | 0.1μF,25V |
| R8133 | | | NRSA02J-221X | MG RESISTOR | C2648 | | | NCF31EZ-104X | CAPACITOR | 0.1μF,25V |
| R8134 | | | NRSA63J-471X | MG RESISTOR | C2649 | | | NCB31CK-104X | CAPACITOR | 0.1μF,16V |
| R8135 | | | NRSA63J-471X | MG RESISTOR | C2654 | | | NCB31HK-103X | CAPACITOR | 0.01μF,50V |
| R8136 | | | NRSA02J-680X | MG RESISTOR | C2655 | | | NCB31HK-103X | CAPACITOR | 0.01μF,50V |
| R8137 | | | NRSA63J-104X | MG RESISTOR | C2657 | | | NDC31HJ-101X | CAPACITOR | 100pF,50V |
| R8151 | | | NRSA63J-103X | MG RESISTOR | C2658 | | | NDC31HJ-101X | CAPACITOR | 100pF,50V |
| C2301 | | | NCB31EZ-104X | CAPACITOR | C2659 | | | NDC31HJ-101X | CAPACITOR | 100pF,50V |
| C2302 | | | NCB31CK-104X | CAPACITOR | C2660 | | | NDC31HJ-101X | CAPACITOR | 100pF,50V |
| C2303 | | | NCB31CK-104X | CAPACITOR | C4001 | | | NCF31EZ-104X | CAPACITOR | 0.1μF,25V |
| C2304 | | | NDC31HJ-221X | CAPACITOR | C4002 | | | NCB31EZ-104X | CAPACITOR | 0.1μF,25V |

| # | △ REF No. | PART No. | PART NAME, DESCRIPTION | # | △ REF No. | PART No. | PART NAME, DESCRIPTION |
|-------|-----------|--------------|------------------------|-------|-----------|--------------|------------------------|
| C4003 | | NCB31EZ-104X | CAPACITOR 0.1μF,25V | C4079 | | NDC31HJ-101X | CAPACITOR 100pF,50V |
| C4004 | | NCF31EZ-104X | CAPACITOR 0.1μF,25V | C4080 | | NCB31HK-103X | CAPACITOR 0.01μF,50V |
| C4005 | | NCB31EZ-104X | CAPACITOR 0.1μF,25V | C4081 | | NCB31EZ-104X | CAPACITOR 0.1μF,25V |
| C4006 | | NCF31EZ-104X | CAPACITOR 0.1μF,25V | C4082 | | NCB31EZ-104X | CAPACITOR 0.1μF,25V |
| C4007 | | NCF31EZ-104X | CAPACITOR 0.1μF,25V | C4083 | | QETN1CM-476Z | E CAPACITOR 47μF,16V |
| C4008 | | NCB31EZ-104X | CAPACITOR 0.1μF,25V | C4084 | | QETN1CM-476Z | E CAPACITOR 47μF,16V |
| C4009 | | QETN0JM-107Z | E CAPACITOR 100μF,6.3V | C4085 | | NCB31HK-102X | CAPACITOR 0.001μF,50V |
| C4010 | | NCB31EZ-104X | CAPACITOR 0.1μF,25V | C4086 | | NCB31HK-102X | CAPACITOR 0.001μF,50V |
| C4011 | | QETN0JM-107Z | E CAPACITOR 100μF,6.3V | C4087 | | NCB31HK-103X | CAPACITOR 0.01μF,50V |
| C4012 | | NCB31EZ-104X | CAPACITOR 0.1μF,25V | C4088 | | NCB31HK-103X | CAPACITOR 0.01μF,50V |
| C4013 | | NCB31EZ-104X | CAPACITOR 0.1μF,25V | C4089 | | NCB31HK-103X | CAPACITOR 0.01μF,50V |
| C4014 | | NCB31EZ-104X | CAPACITOR 0.1μF,25V | C4090 | | NCB31HK-103X | CAPACITOR 0.01μF,50V |
| C4015 | | NCB31EZ-104X | CAPACITOR 0.1μF,25V | C4091 | | NDC31HJ-101X | CAPACITOR 100pF,50V |
| C4016 | | NCB31EZ-104X | CAPACITOR 0.1μF,25V | C4092 | | NDC31HJ-101X | CAPACITOR 100pF,50V |
| C4017 | | NCB31EZ-104X | CAPACITOR 0.1μF,25V | C4093 | | NDC31HJ-101X | CAPACITOR 100pF,50V |
| C4018 | | NCF31EZ-104X | CAPACITOR 0.1μF,25V | C4094 | | NDC31HJ-101X | CAPACITOR 100pF,50V |
| C4019 | | NCB31EZ-104X | CAPACITOR 0.1μF,25V | C4095 | | NCB31HK-103X | CAPACITOR 0.01μF,50V |
| C4020 | | NCB31EZ-104X | CAPACITOR 0.1μF,25V | C4096 | | NCB31HK-102X | CAPACITOR 0.001μF,50V |
| C4021 | | NCF31EZ-104X | CAPACITOR 0.1μF,25V | C4097 | | NCB31HK-103X | CAPACITOR 0.01μF,50V |
| C4022 | | X-CS0PCH4H1J | CAPACITOR 22pF,50V | C4098 | | NDC31HJ-100X | CAPACITOR 10pF,50V |
| C4023 | | NCF31EZ-104X | CAPACITOR 0.1μF,25V | C7301 | | NCF31EZ-104X | CAPACITOR 0.1μF,25V |
| C4024 | | NCB31EZ-104X | CAPACITOR 0.1μF,25V | C7302 | | X-E02LU2101M | E CAPACITOR 100μF,16V |
| C4025 | | NCF31EZ-104X | CAPACITOR 0.1μF,25V | C7303 | | QETL1HM-226 | E CAPACITOR 22μF,50V |
| C4026 | | NCF31EZ-104X | CAPACITOR 0.1μF,25V | C7304 | | NCF31EZ-104X | CAPACITOR 0.1μF,25V |
| C4027 | | NCB31EZ-104X | CAPACITOR 0.1μF,25V | C7305 | | NDC31HJ-821X | CAPACITOR 820pF,50V |
| C4028 | | NCB31EZ-104X | CAPACITOR 0.1μF,25V | C7306 | | NDC31HJ-821X | CAPACITOR 820pF,50V |
| C4029 | | NCF31EZ-104X | CAPACITOR 0.1μF,25V | C7308 | | X-E02LU52R2M | E CAPACITOR 2.2μF,50V |
| C4030 | | NCB31EZ-104X | CAPACITOR 0.1μF,25V | C7310 | | X-E02LU52R2M | E CAPACITOR 2.2μF,50V |
| C4031 | | NCB31HK-103X | CAPACITOR 0.01μF,50V | C7311 | | QETN1HM-106Z | E CAPACITOR 10μF,50V |
| C4032 | | NCB31HK-102X | CAPACITOR 0.001μF,50V | C8101 | | QETN1HM-336Z | E CAPACITOR 33μF,50V |
| C4033 | | NCB31EZ-104X | CAPACITOR 0.1μF,25V | C8102 | | NDC31HJ-101X | CAPACITOR 100pF,50V |
| C4035 | | NDC31HJ-220X | CAPACITOR 22pF,50V | C8105 | | NCB31HK-152X | CAPACITOR 0.0015μF,50V |
| C4036 | | NCB31CK-104X | CAPACITOR 0.1μF,16V | C8106 | | NCB31HK-152X | CAPACITOR 0.0015μF,50V |
| C4037 | | NCB31EZ-104X | CAPACITOR 0.1μF,25V | C8107 | | NDC31HJ-101X | CAPACITOR 100pF,50V |
| C4038 | | NCB31HK-103X | CAPACITOR 0.01μF,50V | C8110 | | NCB31EZ-104X | CAPACITOR 0.1μF,25V |
| C4039 | | NCF31EZ-104X | CAPACITOR 0.1μF,25V | C8111 | | X-E02LU2101M | E CAPACITOR 100μF,16V |
| C4040 | | NCF31EZ-104X | CAPACITOR 0.1μF,25V | C8112 | | QETL1HM-226 | E CAPACITOR 22μF,50V |
| C4041 | | NCF31EZ-104X | CAPACITOR 0.1μF,25V | C8113 | | QETL1HM-226 | E CAPACITOR 22μF,50V |
| C4044 | | NCB31EZ-104X | CAPACITOR 0.1μF,25V | C8114 | | X-E02LU52R2M | E CAPACITOR 2.2μF,50V |
| C4045 | | NCF31EZ-104X | CAPACITOR 0.1μF,25V | C8115 | | X-E02LU54R7M | E CAPACITOR 4.7μF,50V |
| C4046 | | NCF31EZ-104X | CAPACITOR 0.1μF,25V | C8118 | | X-E02LU52R2M | E CAPACITOR 2.2μF,50V |
| C4047 | | NCF31EZ-104X | CAPACITOR 0.1μF,25V | C8119 | | QETN0JM-227Z | E CAPACITOR 220μF,6.3V |
| C4050 | | NCB31EZ-104X | CAPACITOR 0.1μF,25V | C8120 | | NDC31HJ-221X | CAPACITOR 220pF,50V |
| C4051 | | QETN0JM-477Z | E CAPACITOR 470μF,6.3V | C8121 | | NCB31HK-103X | CAPACITOR 0.01μF,50V |
| C4062 | | NCF31EZ-104X | CAPACITOR 0.1μF,25V | C8122 | | QETN1CM-476Z | E CAPACITOR 47μF,16V |
| C4063 | | QETN0JM-107Z | E CAPACITOR 100μF,6.3V | C8123 | | X-CS0YB04H4K | CAPACITOR 0.022μF,50V |
| C4064 | | NCF31EZ-104X | CAPACITOR 0.1μF,25V | C8124 | | QETN1CM-476Z | E CAPACITOR 47μF,16V |
| C4065 | | NCB31HK-103X | CAPACITOR 0.01μF,50V | C8125 | | NCB31EZ-104X | CAPACITOR 0.1μF,25V |
| C4066 | | NCB31AK-105X | CAPACITOR 1μF,10V | C8126 | | NCB31CK-104X | CAPACITOR 0.1μF,16V |
| C4067 | | QETN1CM-476Z | E CAPACITOR 47μF,16V | C8129 | | NDC21HJ-101X | CAPACITOR 100pF,50V |
| C4068 | | QETN1CM-476Z | E CAPACITOR 47μF,16V | C8130 | | NDC31HJ-151X | CAPACITOR 150pF,50V |
| C4069 | | QETN1CM-476Z | E CAPACITOR 47μF,16V | C8131 | | NDC31HJ-151X | CAPACITOR 150pF,50V |
| C4070 | | QETN1CM-476Z | E CAPACITOR 47μF,16V | C8132 | | NDC31HJ-151X | CAPACITOR 150pF,50V |
| C4071 | | QETN1CM-476Z | E CAPACITOR 47μF,16V | C8133 | | NDC31HJ-151X | CAPACITOR 150pF,50V |
| C4072 | | NCB31EZ-104X | CAPACITOR 0.1μF,25V | C8134 | | NDC31HJ-120X | CAPACITOR 12pF,50V |
| C4073 | | NCB31EZ-104X | CAPACITOR 0.1μF,25V | C8135 | | NDC31HJ-120X | CAPACITOR 12pF,50V |
| C4074 | | NCB31EZ-104X | CAPACITOR 0.1μF,25V | C8136 | | NDC31HJ-120X | CAPACITOR 12pF,50V |
| C4075 | | NCB31EZ-104X | CAPACITOR 0.1μF,25V | C8137 | | NDC31HJ-120X | CAPACITOR 12pF,50V |
| C4076 | | NCB31EZ-104X | CAPACITOR 0.1μF,25V | C8138 | | NDC31HJ-151X | CAPACITOR 150pF,50V |
| C4077 | | NCB31EZ-104X | CAPACITOR 0.1μF,25V | C8139 | | NDC31HJ-151X | CAPACITOR 150pF,50V |
| C4078 | | QETN1CM-476Z | E CAPACITOR 47μF,16V | C8140 | | NDC31HJ-151X | CAPACITOR 150pF,50V |

| # | △ | REF No. | PART No. | PART NAME, DESCRIPTION | # | △ | REF No. | PART No. | PART NAME, DESCRIPTION | |
|--------|---|---------|----------------|------------------------|----------------------|--------|---------|--------------|------------------------|---------------------|
| C8141 | | | NDC31HJ-151X | CAPACITOR | 150pF,50V | B8103 | | X-024HC31022 | CORE,BEADS | |
| C8142 | | | NDC21HJ-100X | CAPACITOR | 10pF,50V | L4001 | | QQL29BJ-2R2Z | COIL | 2.2μH |
| C8143 | | | NDC21HJ-100X | CAPACITOR | 10pF,50V | L8101 | | QQL29BK-1R0Z | COIL | 1μH |
| C8144 | | | QETN0JM-477Z | E CAPACITOR | 470μF,6.3V | L8102 | | QQL29BK-1R0Z | COIL | 1μH |
| C8145 | | | QETN0JM-477Z | E CAPACITOR | 470μF,6.3V | L8103 | | QQL29BK-1R0Z | COIL | 1μH |
| C8146 | | | QETN0JM-477Z | E CAPACITOR | 470μF,6.3V | L8104 | | QQL29BK-1R0Z | COIL | 1μH |
| C8147 | | | X-CS0RCH4L1J | CAPACITOR | 33pF,50V | L8105 | | QQL29BK-R33Z | COIL | 0.33μH |
| C8148 | | | X-CS0RCH4L1J | CAPACITOR | 33pF,50V | L8106 | | QQL29BK-R33Z | COIL | 0.33μH |
| C8149 | | | X-CS0RCH4L1J | CAPACITOR | 33pF,50V | J8101 | | X-060J411029 | RCA JACK | MSP-213V1-732_PBSN |
| D2601 | | | X-DDARDS1200 | DIODE | KDS120RTK | J8102 | | X-063D700005 | JACK | |
| D8101 | | | X-DDDRL41480 | DIODE | MCL4148 | J8103 | | X-060J411024 | RCA JACK | |
| D8102 | | | X-DDDRL41480 | DIODE | MCL4148 | SW8101 | | X-0510Y24001 | SWITCH SLIDE | SK42H0IG9A |
| D8103 | | | X-DDDRL41480 | DIODE | MCL4148 | CP2601 | | X-069GYOT079 | CONNECTOR,PCB SIDE | 09-5000-024-001-006 |
| D8106 | | | X-DDDRL41480 | DIODE | MCL4148 | CP2602 | | X-069EV83010 | CONNECTOR,PCB SIDE | 00_6232_008_006_800 |
| D8107 | | | X-DDDRL41480 | DIODE | MCL4148 | CP2603 | | X-069S230629 | CONNECTOR,PCB SIDE | A2001WV2-3P |
| D8108 | | | X-DDDRL41480 | DIODE | MCL4148 | CP4002 | | X-069S2C0629 | CONNECTOR,PCB SIDE | A2001WV2-12P |
| D8109 | | | X-DDDRL41480 | DIODE | MCL4148 | CP8102 | | QFG1208C1-08 | CONNECTOR,PCB SIDE | |
| D8110 | | | X-DDDRL41480 | DIODE | MCL4148 | X4001 | | X-100BT02701 | CRYSTAL | 27MHz |
| D8111 | | | X-DDDRL41480 | DIODE | MCL4148 | OS8101 | | X-07AQ000009 | OPTICALDEVICE | OFTG038101 |
| D8112 | | | X-DDDRL41480 | DIODE | MCL4148 | OS8101 | | X-07A9000006 | OPTICAL DEVICE | GP1FA553TZ |
| D8113 | | | X-DDDRL41480 | DIODE | MCL4148 | | | | | |
| IC2301 | | | X-I03F065600 | IC | LA6560 | | | | | |
| IC2601 | | | X-ICQK067070 | IC | ZR36707TQC | | | | | |
| IC2602 | | | BA10358F-XE | IC | | | | | | |
| IC4001 | | | X-ICQK067620 | IC | ZR36762 | | | | | |
| IC4002 | | | S-24C02BFJ-X | IC | | | | | | |
| IC4003 | | | X-I0GF9XZ010 | IC | PQ070XZ01ZP | | | | | |
| IC4005 | | | X-IF9J0164A7 | IC | M12L64164A-7T | | | | | |
| IC4007 | | | X-ICMJ0800A7 | IC | SST39VF800A-70-4C-EK | | | | | |
| IC7301 | | | X-I17F0742K0 | IC | PCM1742KE/2K | | | | | |
| IC8101 | | | NJM4580M | IC | | | | | | |
| IC8101 | | | NJM4580M-X | IC | | | | | | |
| Q2601 | | | 2SA1036K/QR/-X | TRANSISTOR | | | | | | |
| Q2602 | | | 2SA1036K/QR/-X | TRANSISTOR | | | | | | |
| Q2603 | | | X-T27T030180 | FET | 2SK3018 | | | | | |
| Q2604 | | | X-T27T030180 | FET | 2SK3018 | | | | | |
| Q2605 | | | X-T27T030180 | FET | 2SK3018 | | | | | |
| Q8101 | | | X-TCAA3875SY | TRANSISTOR | KTC3875S_Y_RTK | | | | | |
| Q8102 | | | KRC103S-X | TRANSISTOR | | | | | | |
| Q8103 | | | X-TPAAA05001 | TRANSISTOR | KRA101SRTK | | | | | |
| Q8104 | | | X-TCAA3875SY | TRANSISTOR | KTC3875S_Y_RTK | | | | | |
| Q8105 | | | X-TCAA3875SY | TRANSISTOR | KTC3875S_Y_RTK | | | | | |
| Q8106 | | | X-TNAAD05001 | TRANSISTOR | KRC104SRTK | | | | | |
| Q8107 | | | X-TCAA3875SY | TRANSISTOR | KTC3875S_Y_RTK | | | | | |
| B2601 | | | X-024HC31022 | CORE,BEADS | | | | | | |
| B2602 | | | X-024HC31022 | CORE,BEADS | | | | | | |
| B2603 | | | X-024HC31022 | CORE,BEADS | | | | | | |
| B2604 | | | X-024HC31022 | CORE,BEADS | | | | | | |
| B2605 | | | X-024HC31022 | CORE,BEADS | | | | | | |
| B4001 | | | X-024HC31022 | CORE,BEADS | | | | | | |
| B4002 | | | X-024HC31022 | CORE,BEADS | | | | | | |
| B4003 | | | X-024HC31022 | CORE,BEADS | | | | | | |
| B4004 | | | X-024HC31022 | CORE,BEADS | | | | | | |
| B4005 | | | X-024HC31022 | CORE,BEADS | | | | | | |
| B4006 | | | X-024HC31022 | CORE,BEADS | | | | | | |
| B4007 | | | X-024HC31022 | CORE,BEADS | | | | | | |
| B4008 | | | X-024HC31022 | CORE,BEADS | | | | | | |
| B7301 | | | X-024HC31022 | CORE,BEADS | | | | | | |
| B7302 | | | X-024HC31022 | CORE,BEADS | | | | | | |
| B8101 | | | X-024HC31022 | CORE,BEADS | | | | | | |
| B8102 | | | X-024HC31022 | CORE,BEADS | | | | | | |